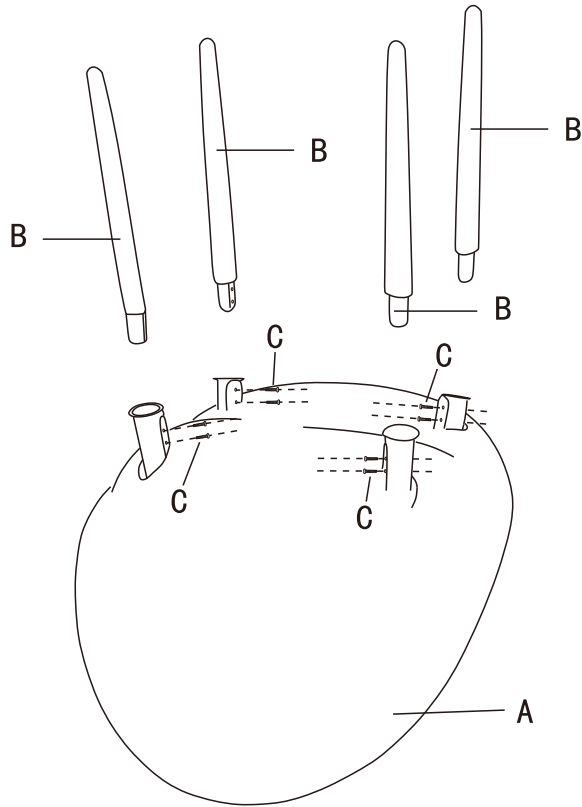
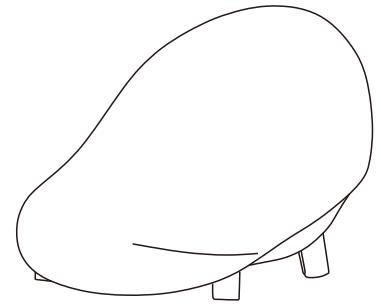


# ASSEMBLY INSTRUCTIONS



A



1 PC

B

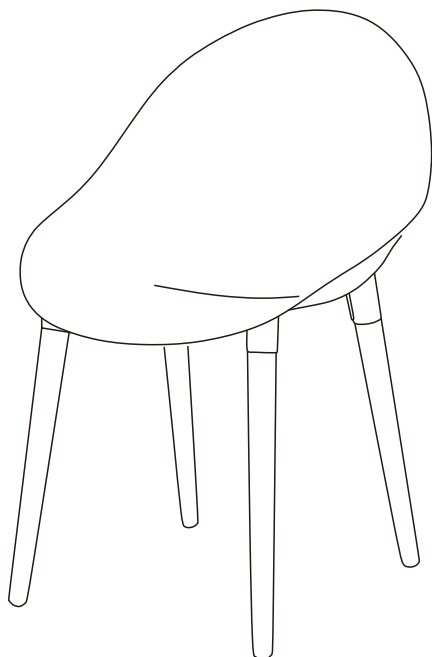


4 PCS

C



8 PCS



D



1 PC