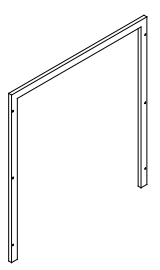
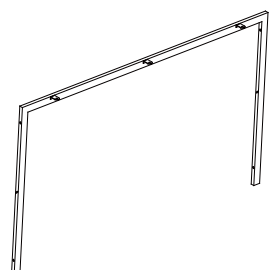


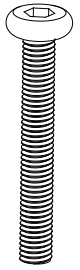

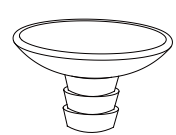


ASSEMBLY INSTRUCTIONS

A  2pcs	B  2pcs	C  1pc	D  $\Phi 14 \times \Phi 6 \times 1$ 8pcs
E  M6x45 8pcs	F  S5 1pc	G  6pcs	

