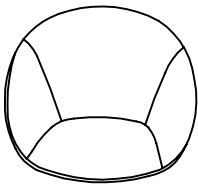
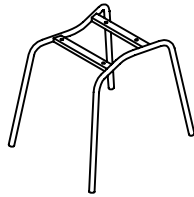


# ASSEMBLY INSTRUCTIONS

1.x1



2.x1



A.x4



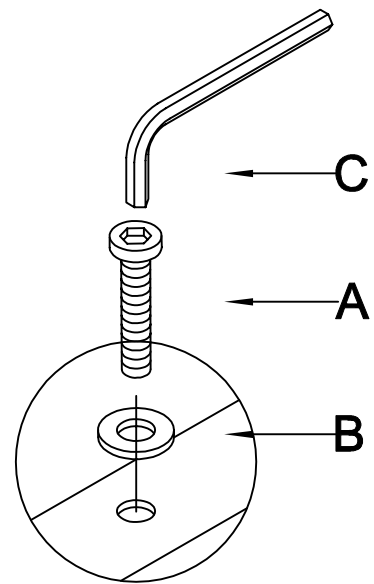
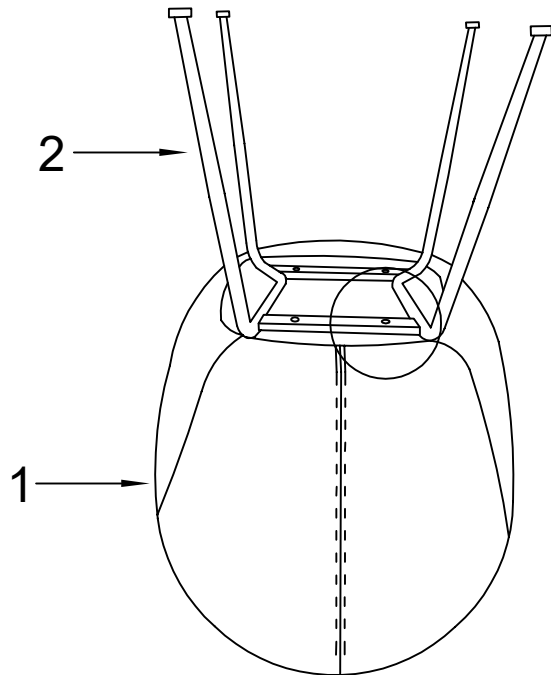
B.x4



D.x1



1



2

