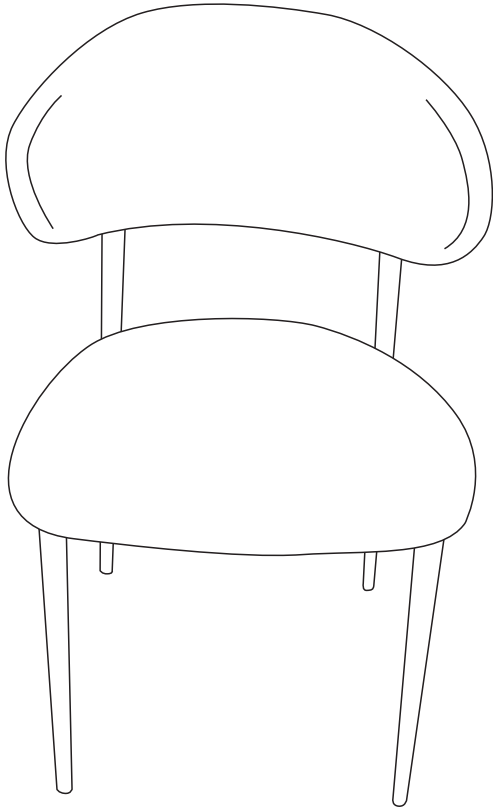
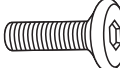
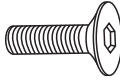




# ASSEMBLY INSTRUCTIONS



 Ax4	 Bx3
 Cx4	 Dx1

