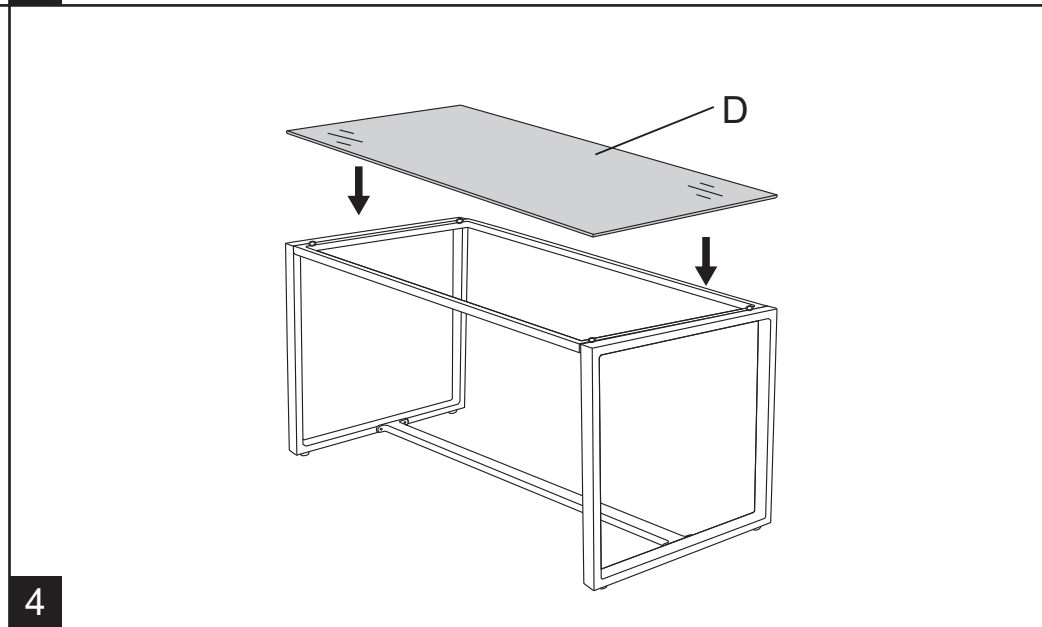
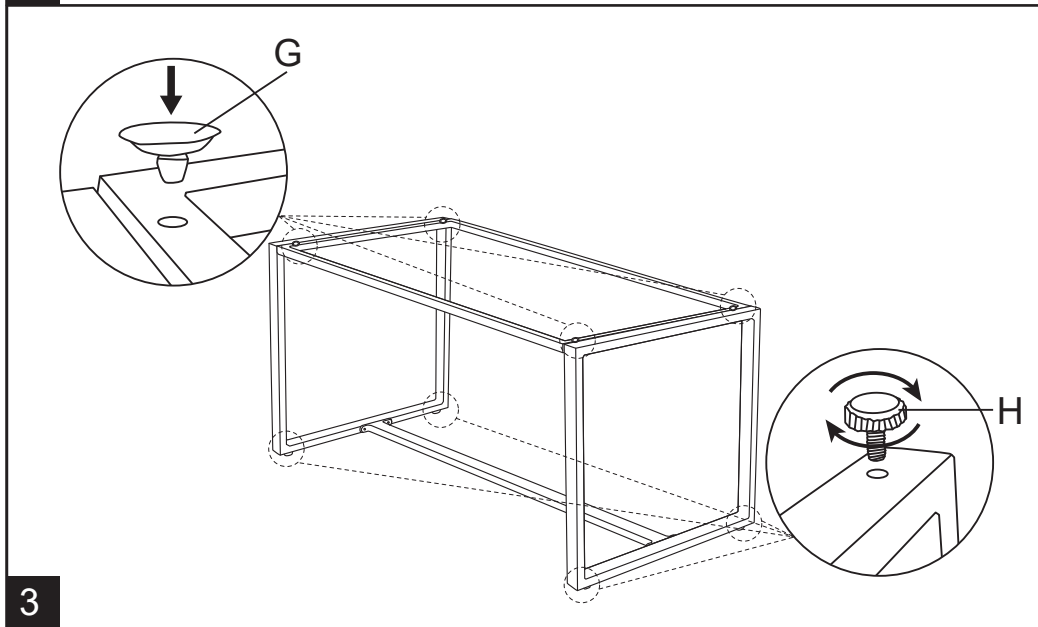
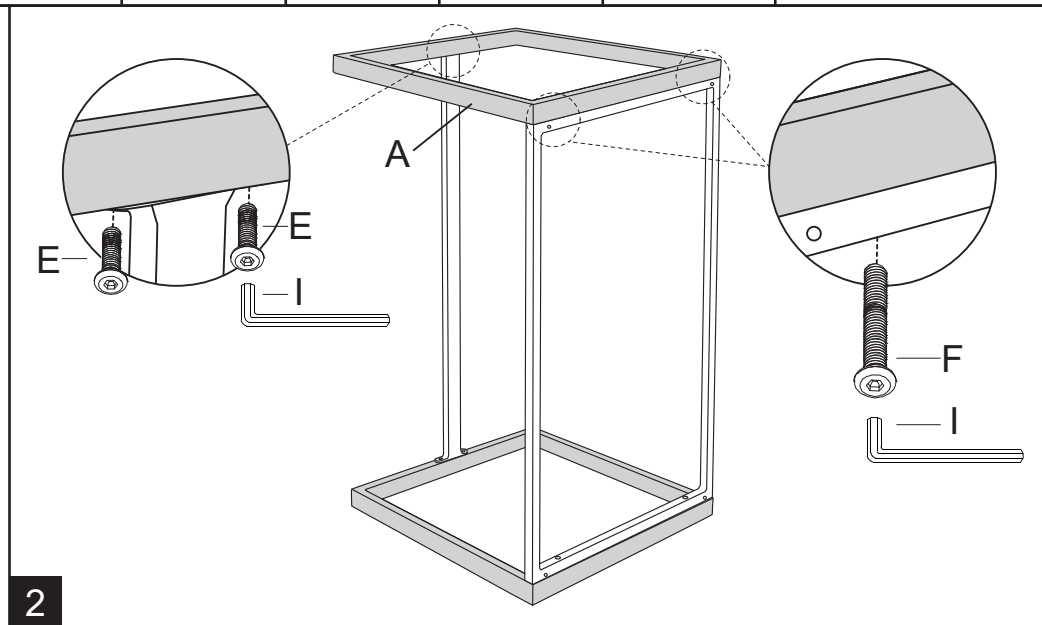
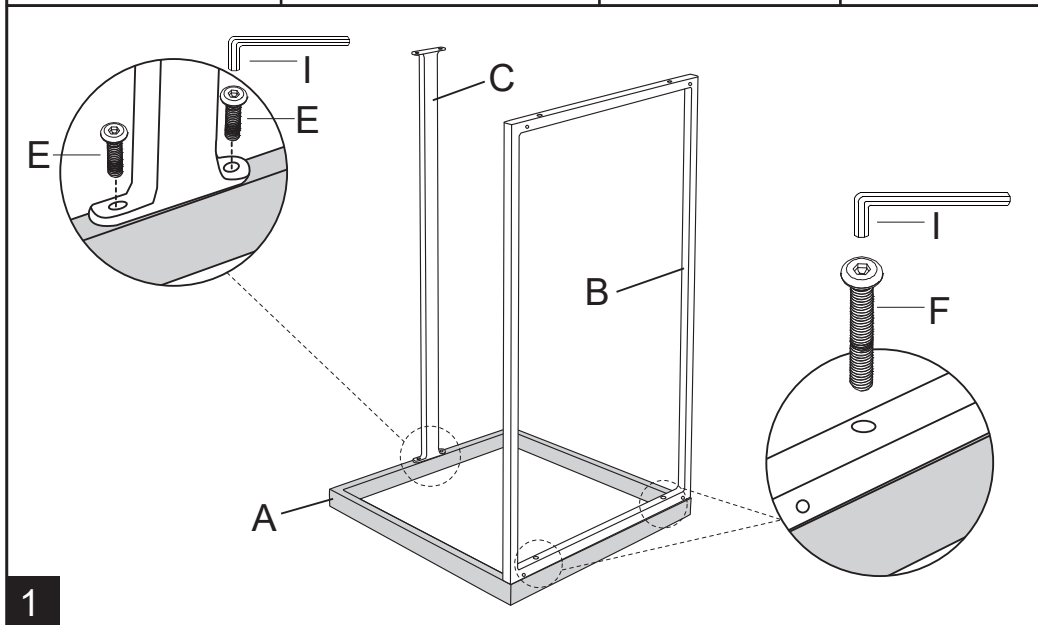
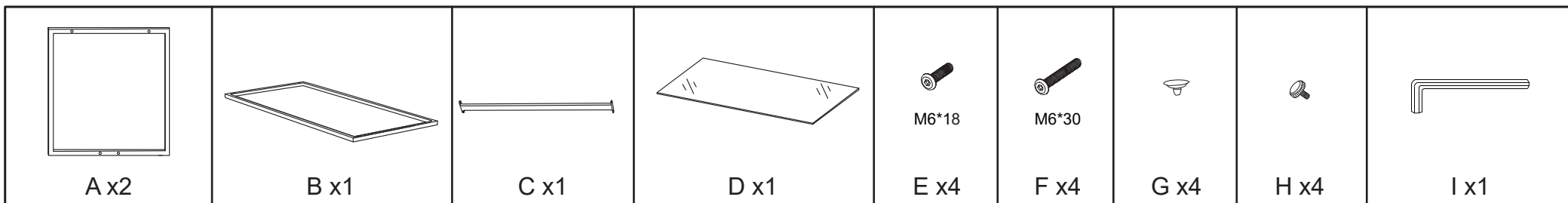
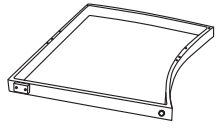
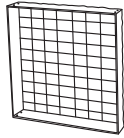


# ASSEMBLY INSTRUCTIONS

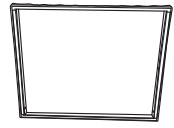




J x2



K x1



L x1



M x1



M6\*18

Ex8

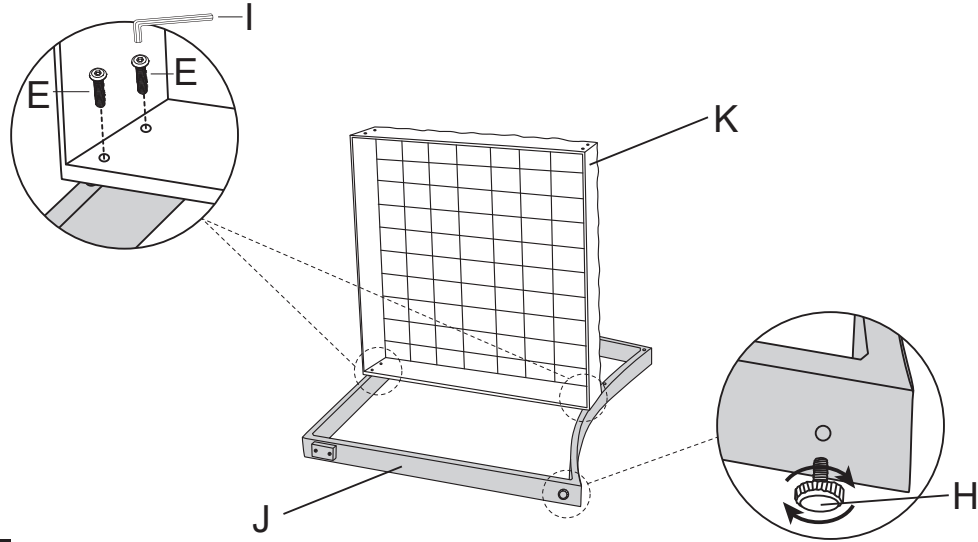


M6\*30

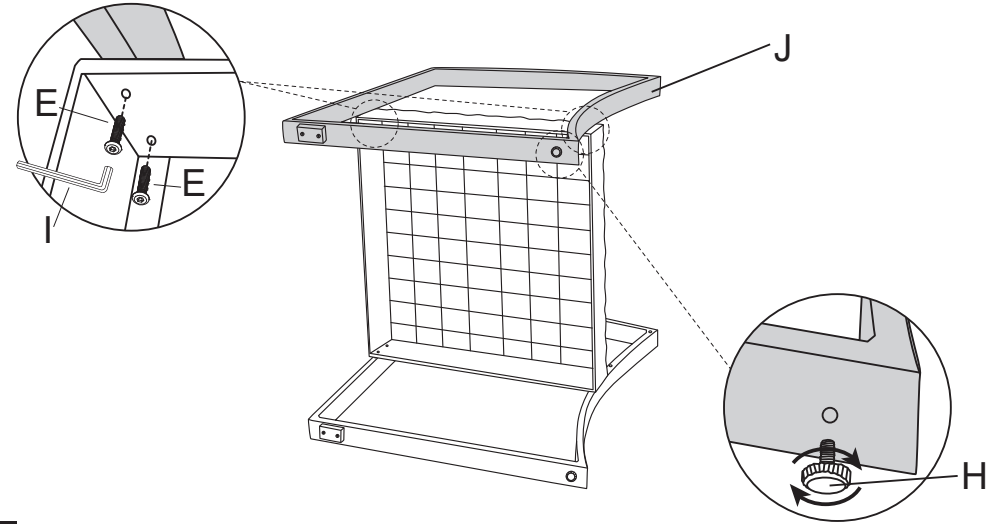
F x4



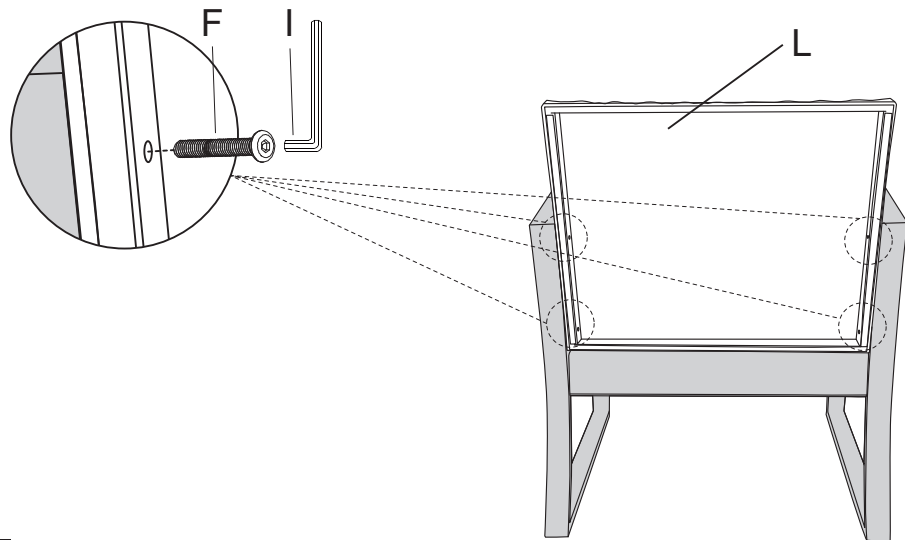
H x2



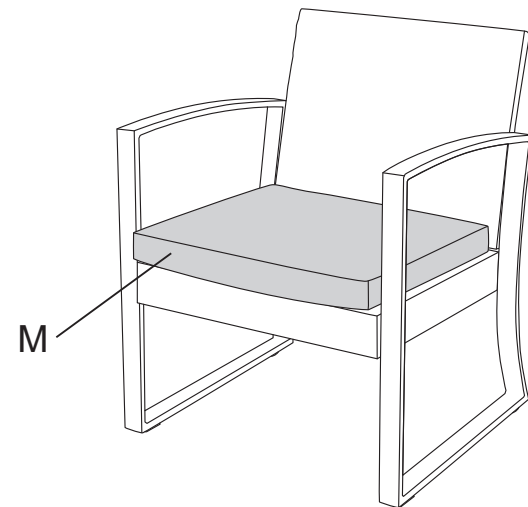
1



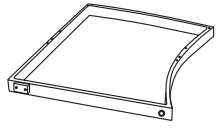
2



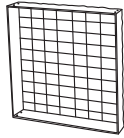
3



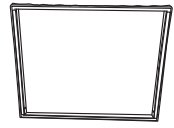
4



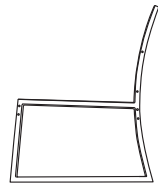
J x2



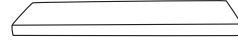
K x2



L x2



O x1



P x1



M6\*18



M6\*30



M6\*45



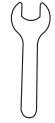
M6\*65



R x6



H x4



S x1

