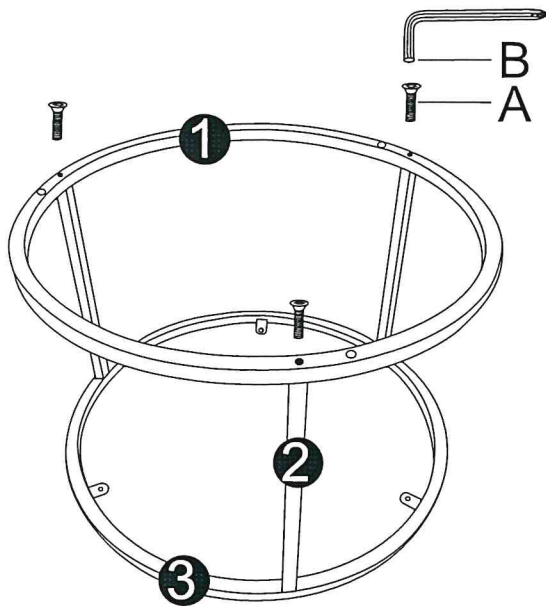
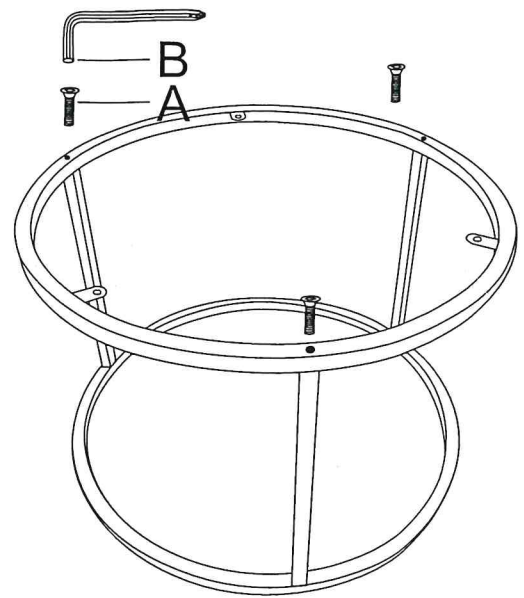


# ASSEMBLY INSTRUCTIONS

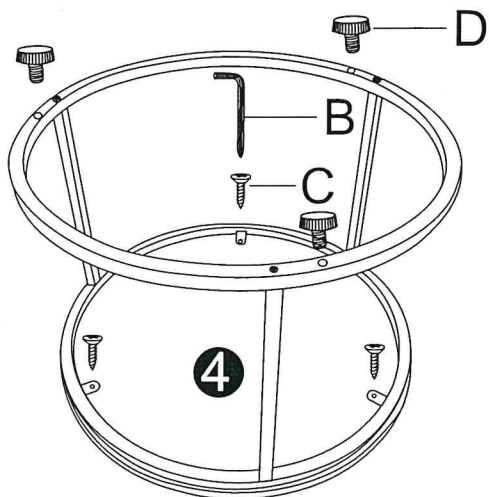
## STEP 1



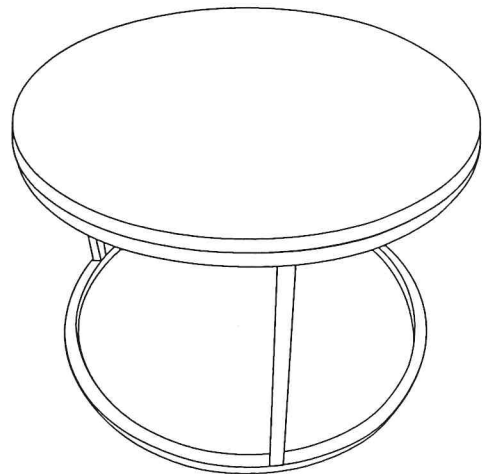
## STEP 2



## STEP 3



## STEP 4

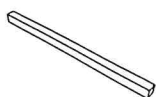


①



x1

②



x3

③



x1

④



x1

A



M4x35mm x6

B



x1

C



M4x12mm x3

D



x3