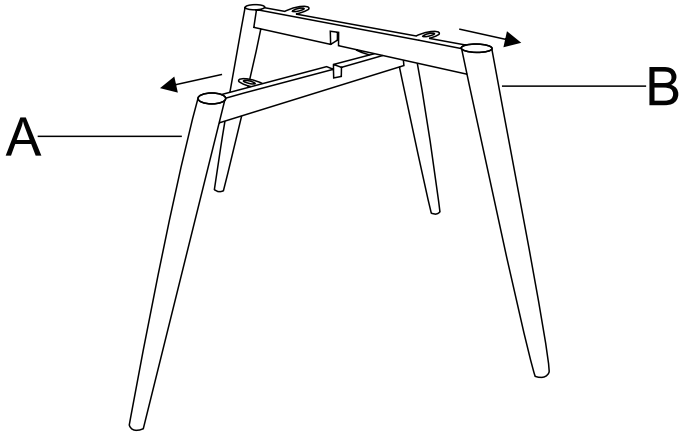
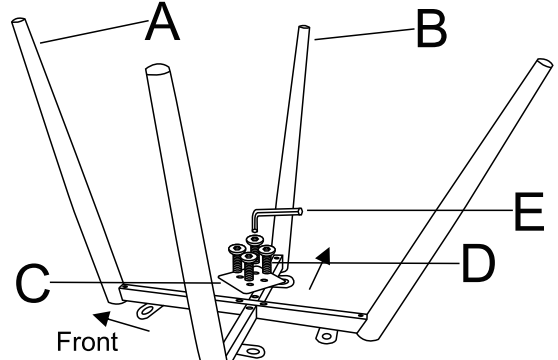


ASSEMBLY INSTRUCTIONS

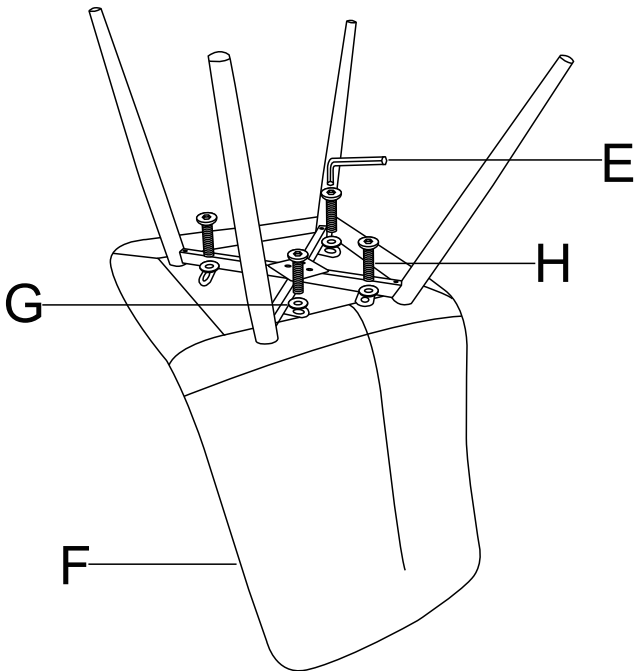
STEP:1



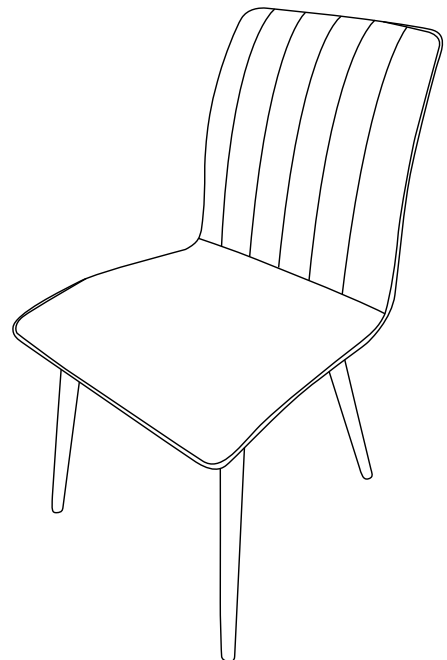
STEP:2



STEP:3



STEP:4



A



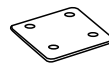
x1

B



x1

C



x1

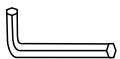
D



M6x16mm

x4

E



x1

F



x1

G



M6x16x1.5mm

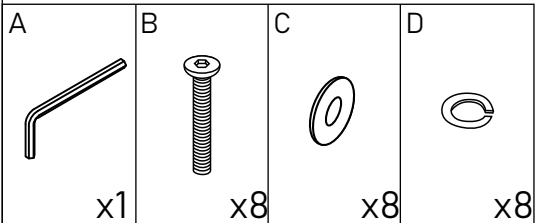
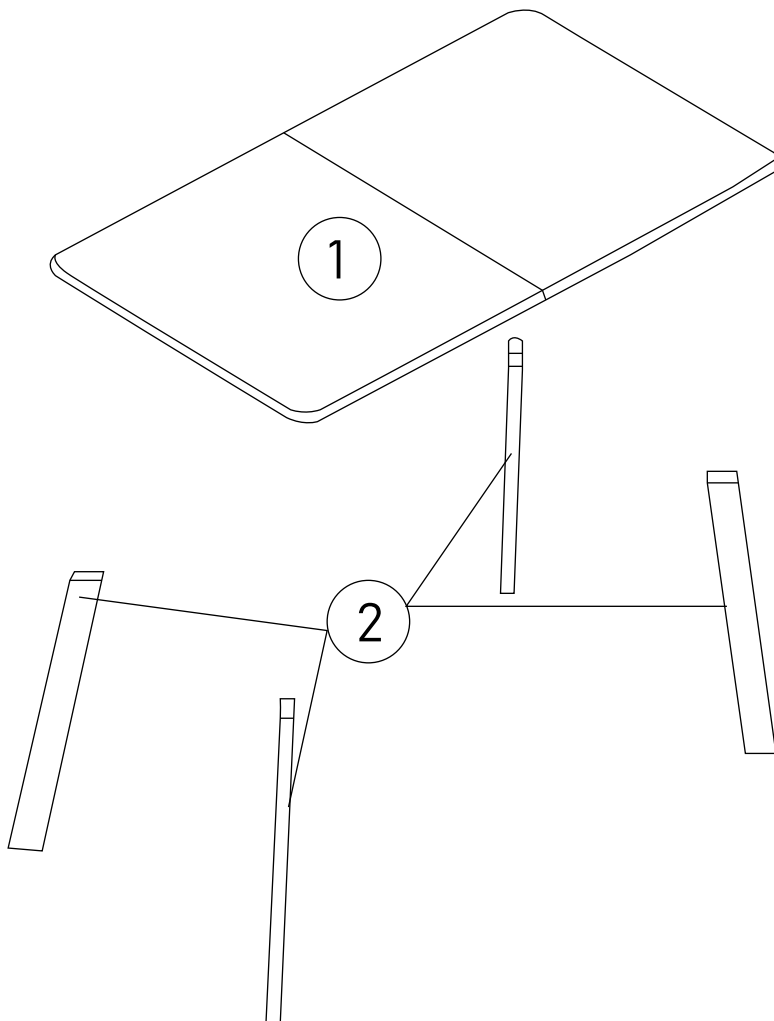
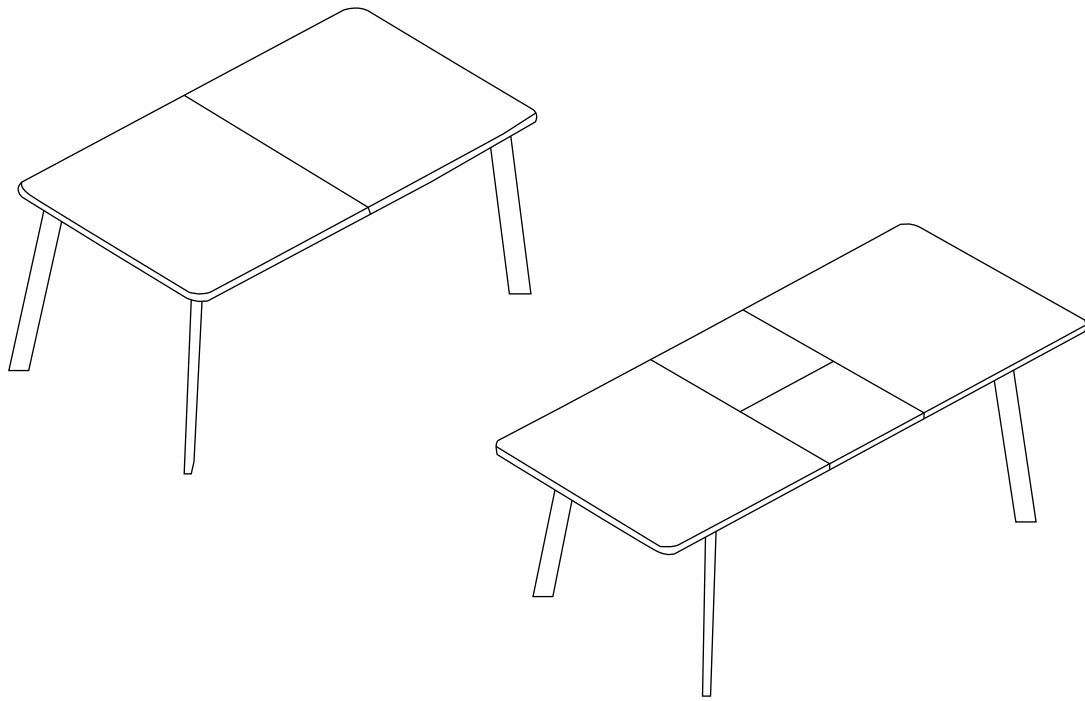
x4

H

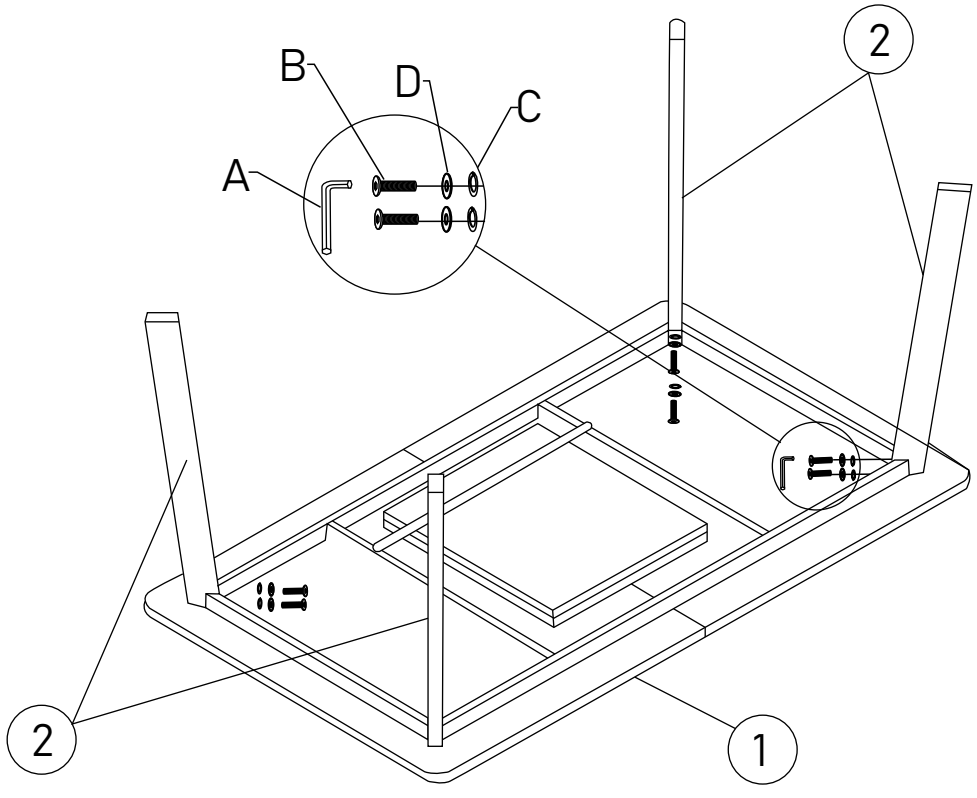


M6x16mm

x4



1



2

