

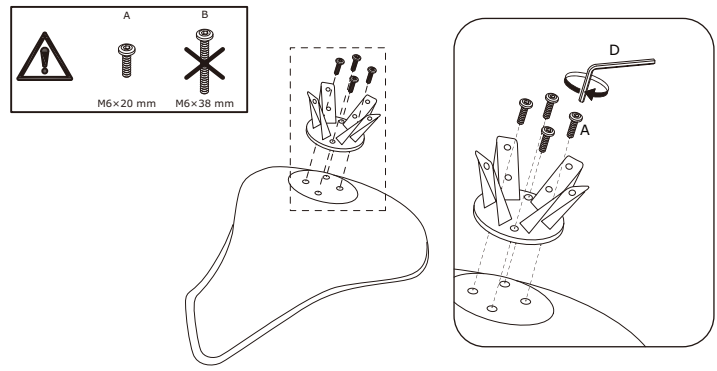


ASSEMBLY INSTRUCTIONS

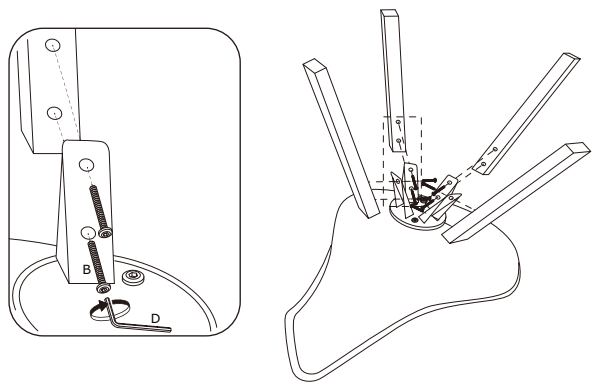
1

A × 4	D × 1
	
M6×20 mm	5 mm



2

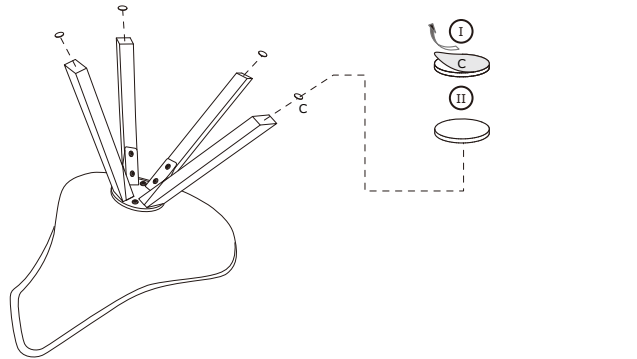
B × 8	D × 1
	
M6×38 mm	5 mm



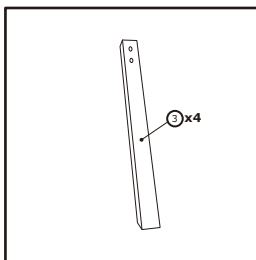
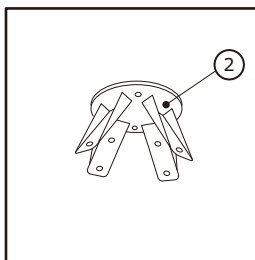
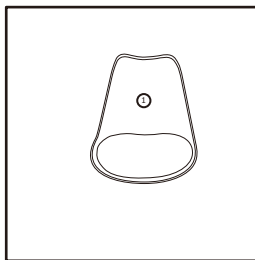
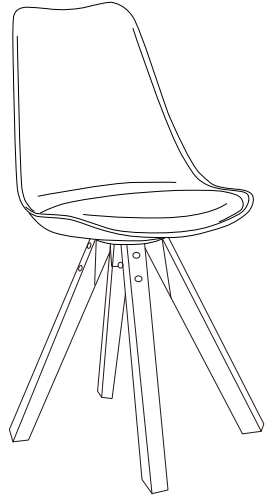
3

C × 4

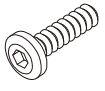
Ø25×3 mm



4

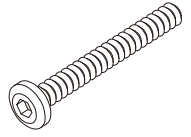


A × 4




M6×20 mm

B × 8



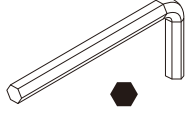
M6×38 mm

C × 4



Ø25×3 mm

D × 1



5 mm