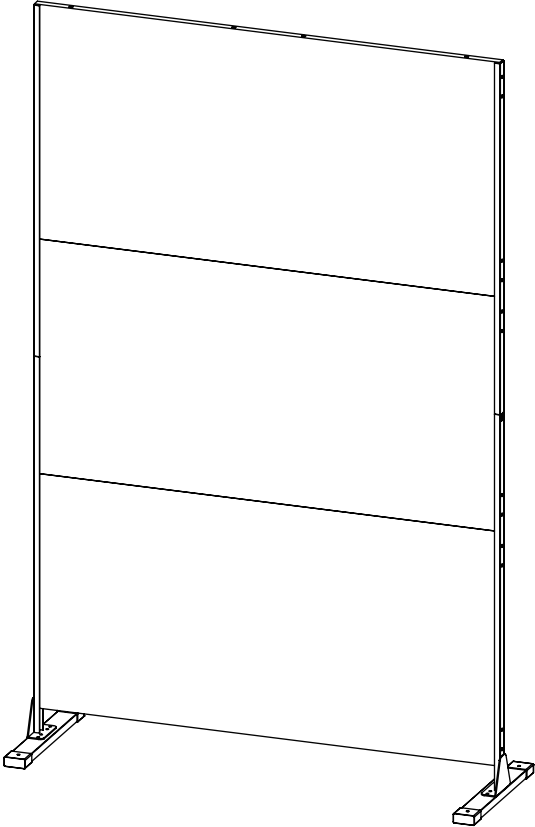


METAL PRIVACY SCREEN FENCE PANEL ASSEMBLY MANUAL



Assembly Instructions

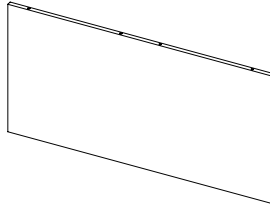
- **Before assembly**, ensure you lay out and identify all parts listed in the parts list.
- **Tighten all nuts and bolts securely**. Hand-tighten all bolts before use. Avoid using power tools or applying excessive force during assembly and bolt tightening.
- **If you encounter any difficulties** during assembly, or if any part is missing or damaged, please don't hesitate to contact our customer service team via email at info@kozyard.com or by calling our toll-free number at 866-355-0018.

Care and Warranty

- The wind capacity rate of this screen is 20 MPH.
- Clean the frame components with a mild soap solution, then rinse thoroughly. Avoid using bleach, acid, or any other solvents on frame components.
- For a comprehensive warranty policy, please visit www.kozyard.com. Be aware that warranty terms can change without prior notification.
- For the best performance and safety of your screen, inspect and tighten all bolts and fasteners regularly.

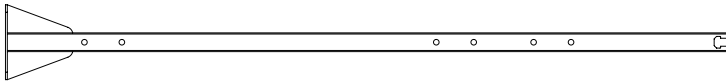
ASSEMBLY PARTS AND TOOLS

A



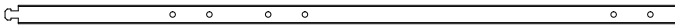
Metal panel *3

B



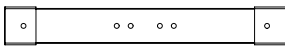
Metal frame *2

C



Metal frame *2

D



Base *2



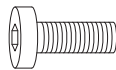
**Sleeve Anchors
3/8x3" *4**

#1

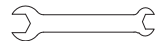


**Bolt
M6x16 *32 +1**

#2



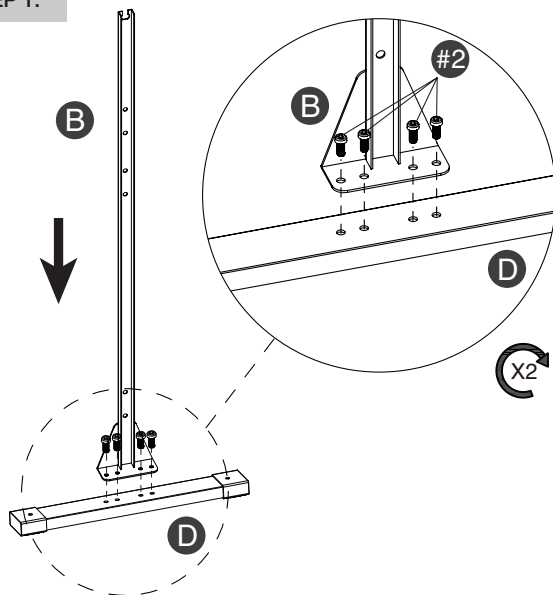
**Bolt
M6x16 *8 +1**



Installation tools

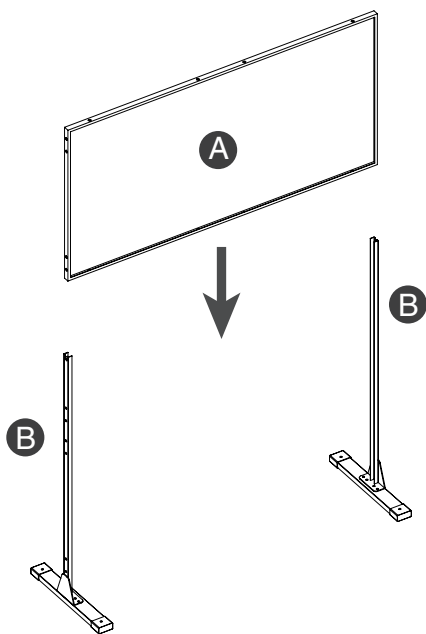
ASSEMBLY INSTRUCTIONS

STEP 1:



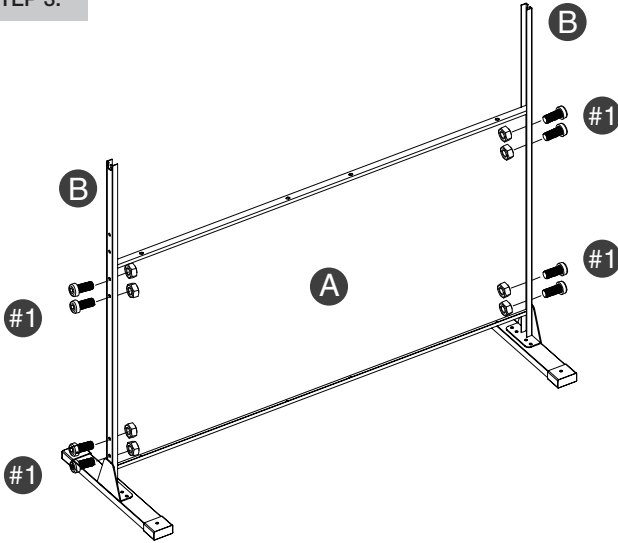
Connect Metal Frame (Part B) to Base (Part D) using Bolt #2 as shown in diagram.

STEP 2:



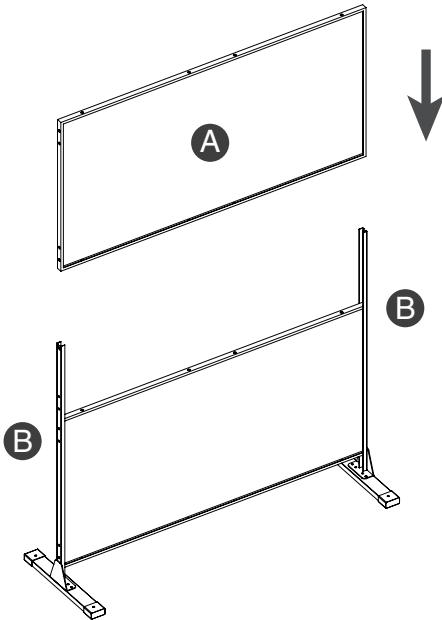
Insert Panel (Part A) to the two frames (Part B).

STEP 3:



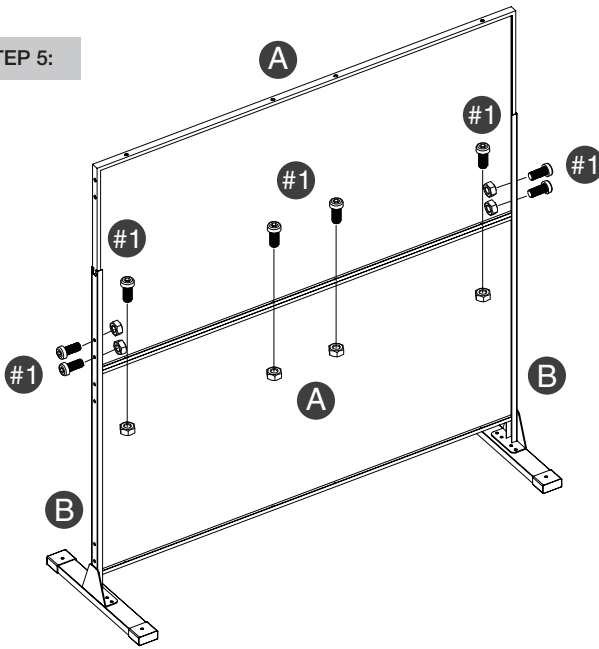
Affix Panel (Part A) to the Frames (Part B) using Bolt #1 as shown in diagram.

STEP 4:



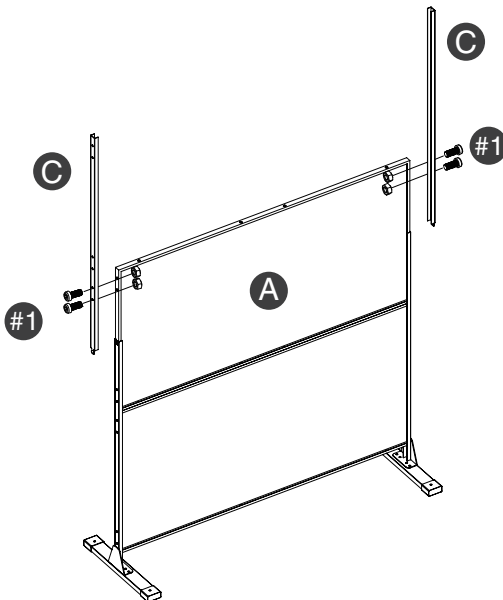
Insert the second panel (Part A) to the two frames (Part B) as shown in diagram.

STEP 5:



First connect two panels (Part A) together using Bolt #1, then affix the second panel to the frames (Part B) using Bolt #1 as shown in diagram.

STEP 6:



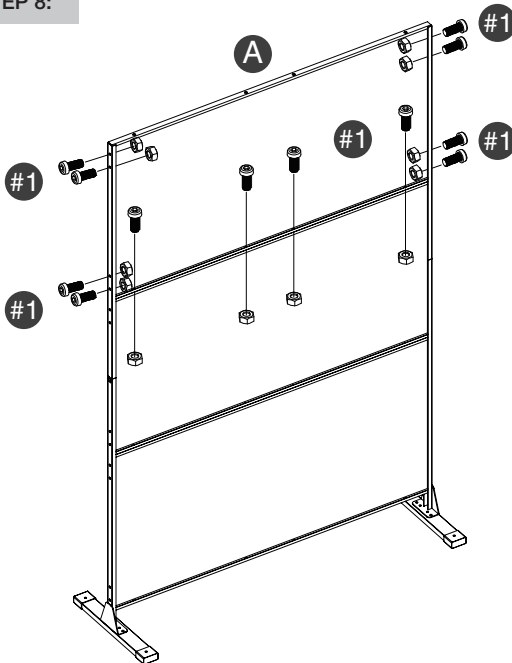
Connect Frames (Part C) to the second panels (Part A) using Bolt #1 as shown in diagram.

STEP 7:



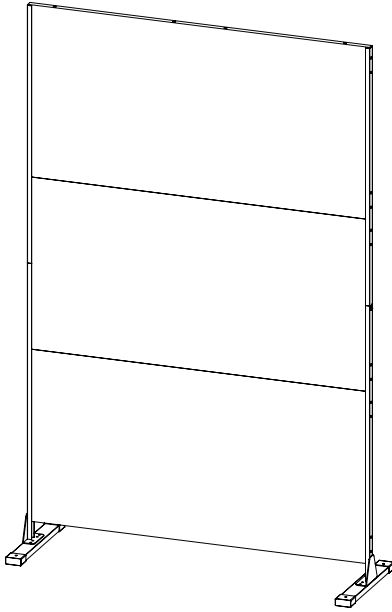
Insert the third panel (Part A) to the two frames (Part C) as shown in diagram.

STEP 8:



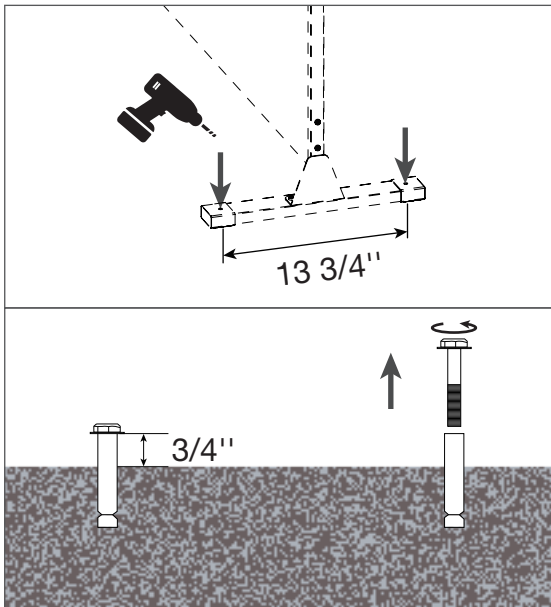
First connect the third panel (Part A) together with the second using Bolt #1, then affix the third panel to frame (Part C) using Bolt #1 as shown in diagram.

STEP 9:



Complete assembly.

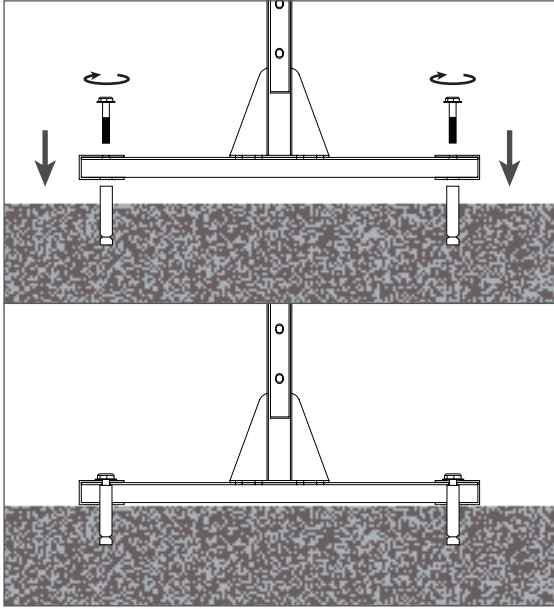
Sleeve Anchor Installation Step 1



For outdoor placement, it is required to secure the base using four $\frac{3}{8}''$ sleeve anchors. This ensures the stability and safety of the panel against wind and other outdoor elements.

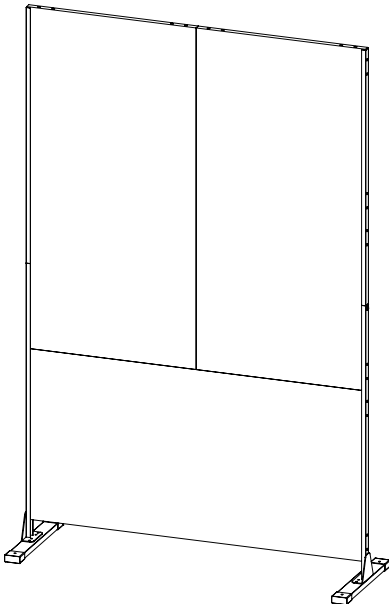
Whole sleeve anchor is revealed $\frac{3}{4}''$ on the ground, Rotate the screws counterclockwise to remove it

Sleeve Anchor Installation Step 2



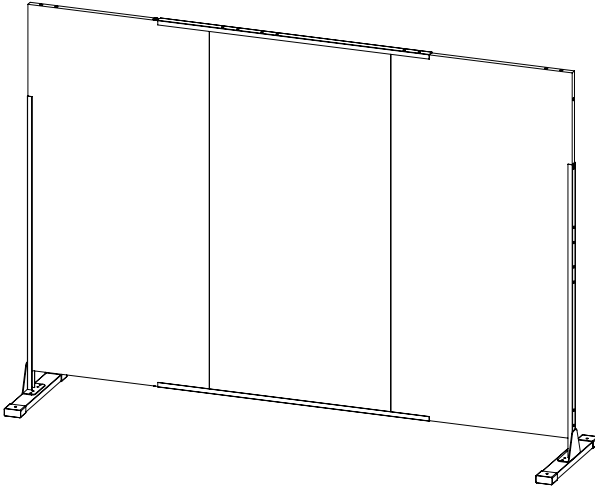
Insert the sleeve into the hole of base (Part D) and tighten the screws clockwise.

Tips:1



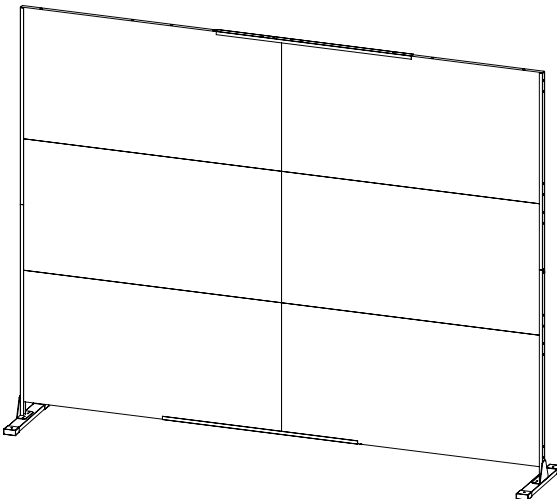
Horizontal assembly is also possible if desired. This option allows customers flexibility in how they wish to set up the privacy screens, catering to various space and design requirements.

Tips:2



Horizontal assembly is also possible if desired. This option allows customers flexibility in how they wish to set up the privacy screens, catering to various space and design requirements.

Tips:3



Purchasing two Metal Privacy Screens can achieve a seamless connection.

Enjoy Cozy Life!