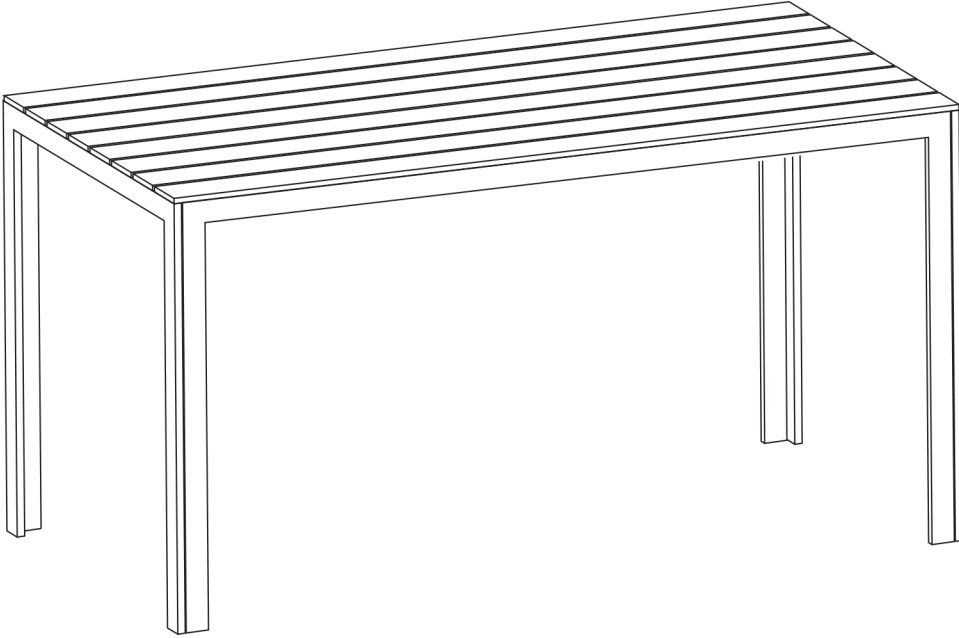
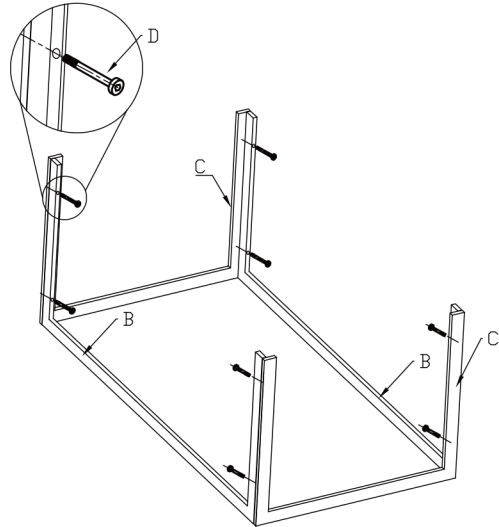


ASSEMBLY INSTRUCTIONS

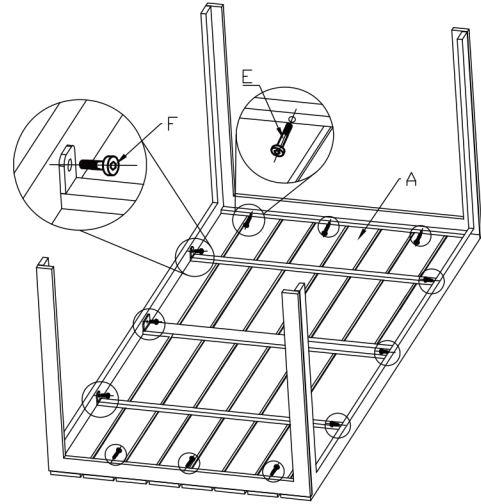


A		1PC
B		2PCS
C		2PCS
D	M6×4.5mm	8PCS
E	M6×30mm	6PCS
F	M6×15mm	6PCS
G		1PC

①



②



③

