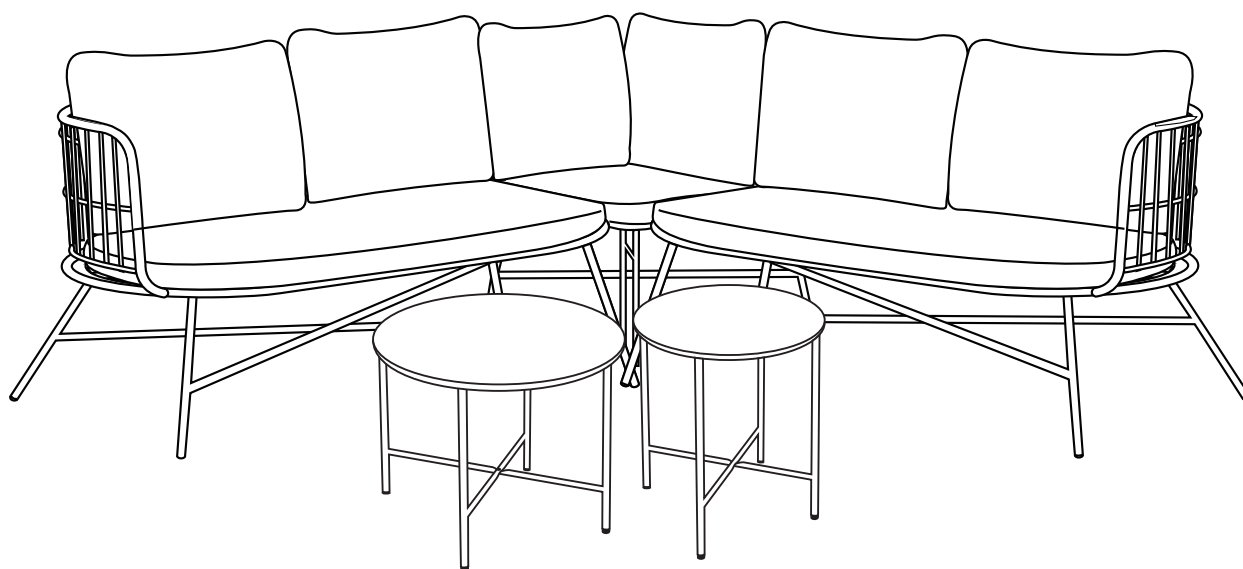


ASSEMBLY INSTRUCTIONS



Thank you

Dear Customer

Thank you for purchasing your new piece of furniture from Dunelm. We put a lot of effort in the design and construction of our products to ensure they set the standard for quality, durability and ease of assembly.

If for any reason you feel we haven't lived up to the high standards we set ourselves, please don't hesitate in contacting us on 03451 656565 where our team will be very keen to understand what has gone wrong and, more importantly, put it right.

The next step...

There is no need to feel daunted by the number of parts and fittings in front of you, we have compiled this straight forward, step-by-step guide to make sure that assembling your furniture is as easy as 1, 2, 3.

Before you begin, we advise that you check that you have everything you need to get started.

Top tip

Find a space to spread everything out across the floor before you begin assembling the item. Lay each panel down on a clean and level area, ideally in the room of intended use, ensuring there is enough room to manoeuvre around the item. It is recommended that two people assemble this product together. The full list of furniture parts, fixtures and fittings, as well as the tools you will need for assembly can be found on page 2 and 3 of this manual.

Top tip

Identify all of the fittings, make sure that you have them all prepared and familiarise yourself with each component, to make things easier when you are putting it all together.

Safety and care advice

IMPORTANT - The first step you need to take is to ensure your safety! Please take the time to read and understand these instructions before assembling your furniture.

Please keep these instructions for future reference.

Keep children and animals away from the assembly area. This furniture contains small parts that could cause choking if swallowed.

Keep all plastic wrapping materials away from babies and children to avoid danger of suffocation.

Ensure that all packaging is disposed of carefully and responsibly.

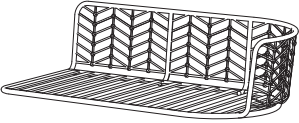



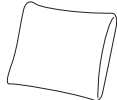
From time to time check that there are no loose fittings on the unit, re-tighten when necessary.

Two people may be required for the assembly of this product.

Once items are part or fully assembled they are not returnable unless faulty.

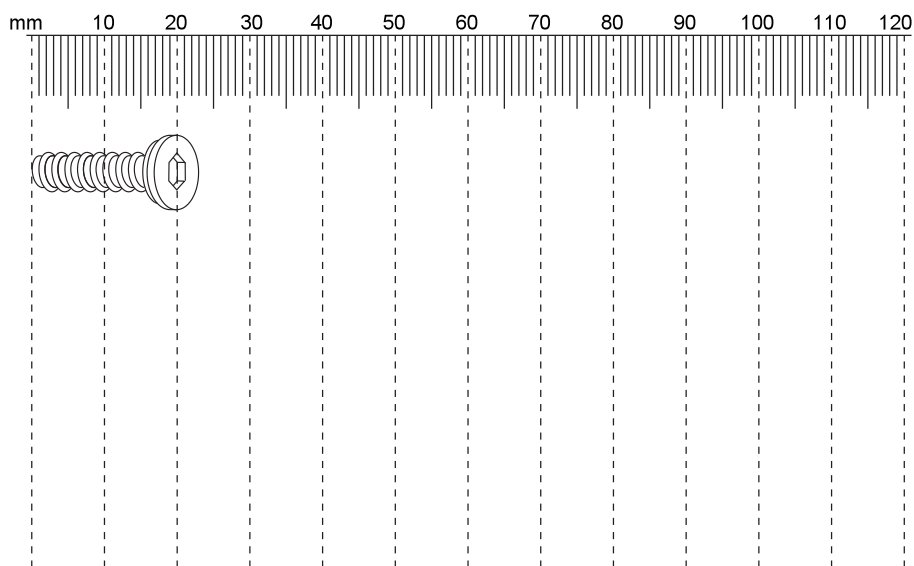
Furniture can be dangerous if incorrectly installed. Assembly should be carried out by a competent person. No liability will be accepted for damage or injury caused by incorrectly installed or assembled furniture.

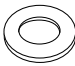

Component parts supplied

Ref	Visual	Qty
1		1
2		1
3		1
4		1
5		2

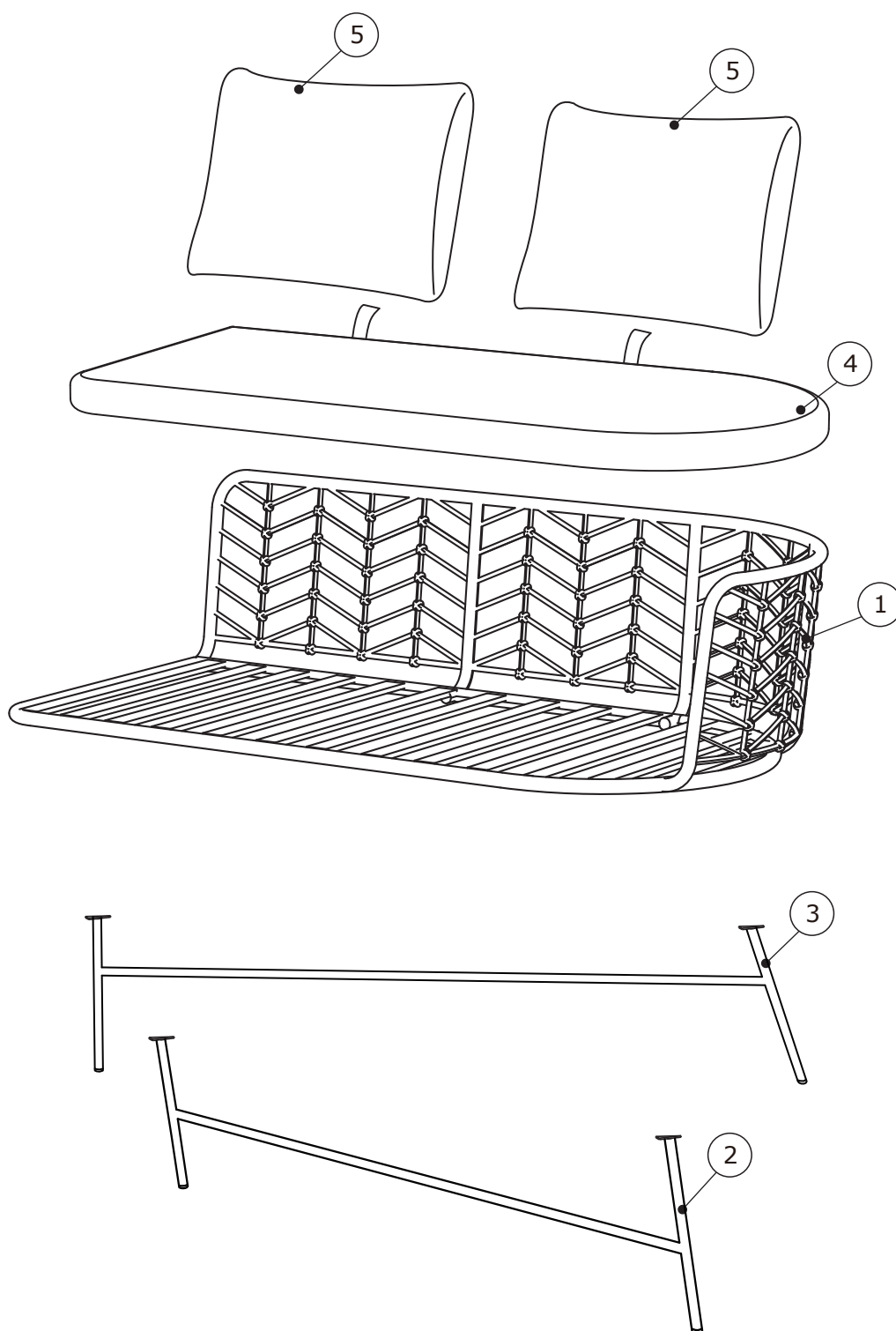
Parts and fittings

Ref	Dimensions	Qty
A	M6x15 mm	12



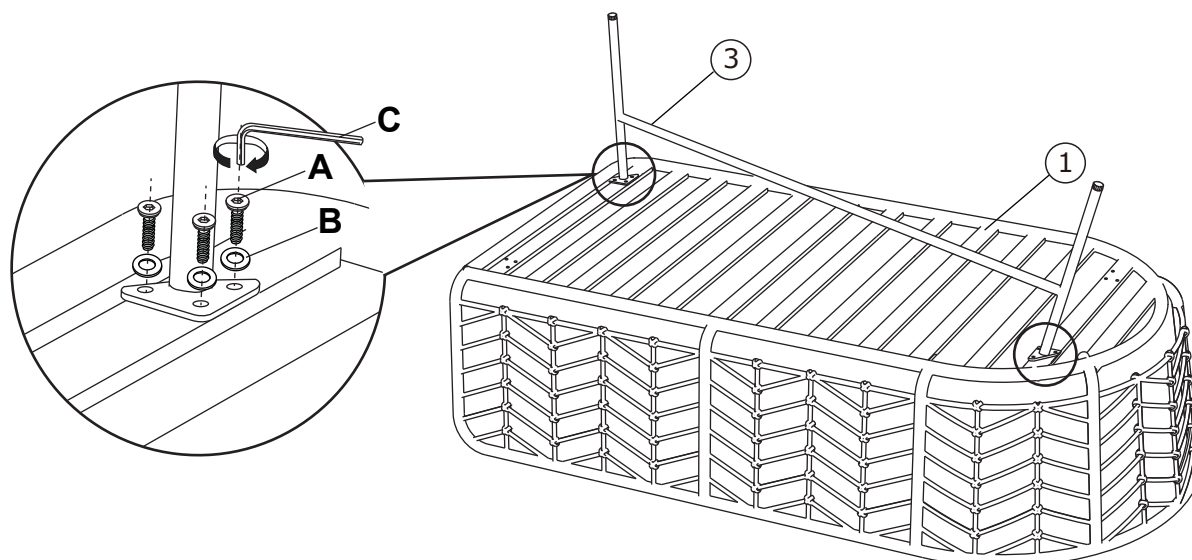
Ref	Dimensions	Visual	Qty
B	Ø14/Ø6.5 mm		12
C	T25/T30		1

Exploded view

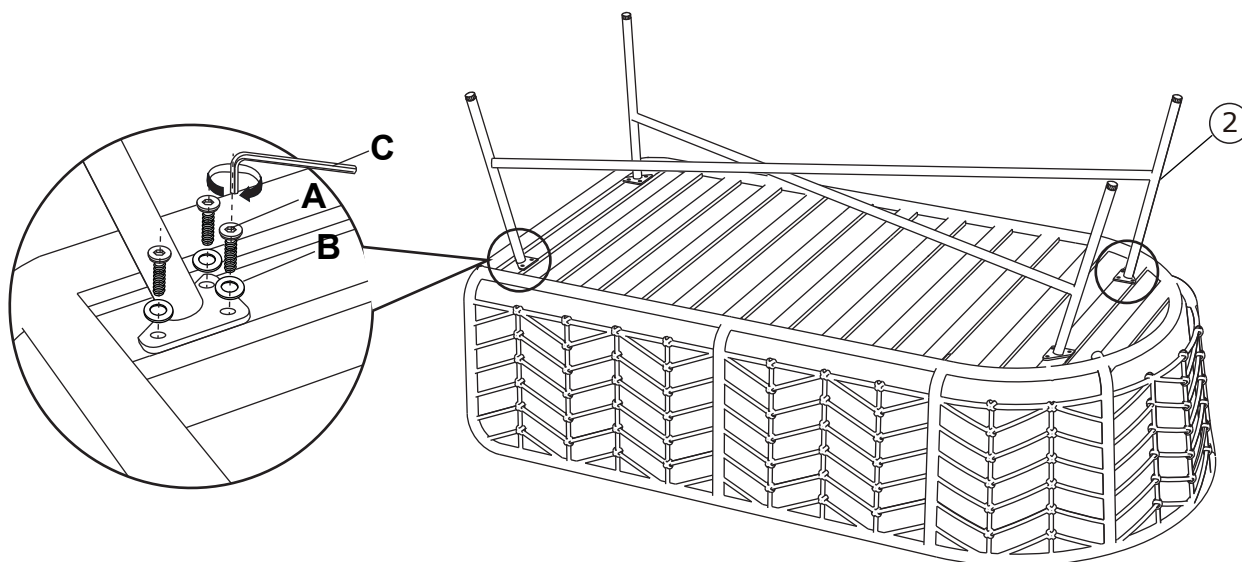


Assembly instructions

1

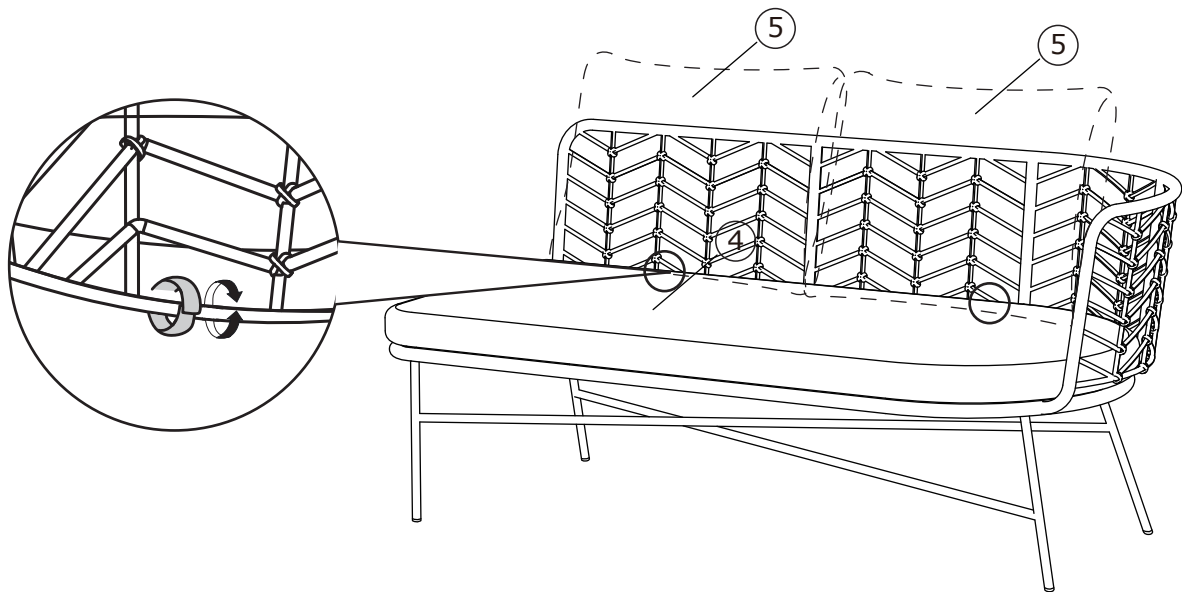


2

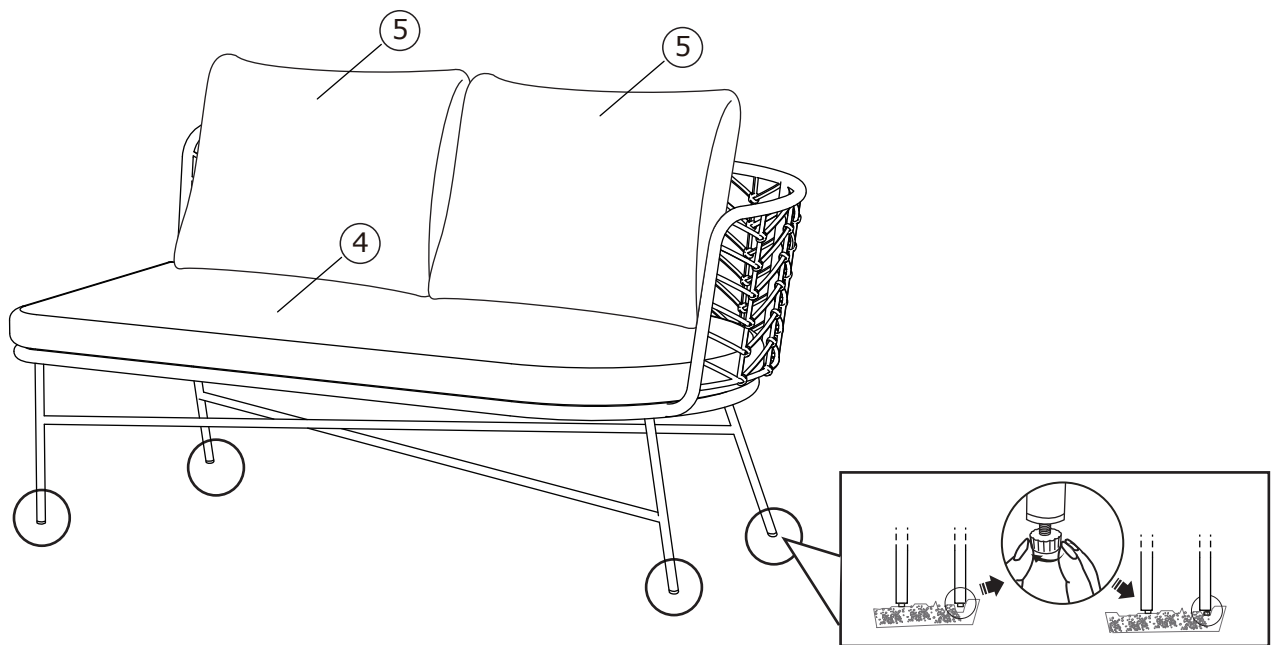


Assembly instructions

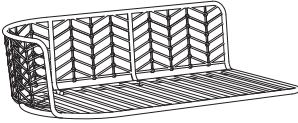



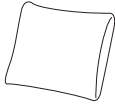
3



4

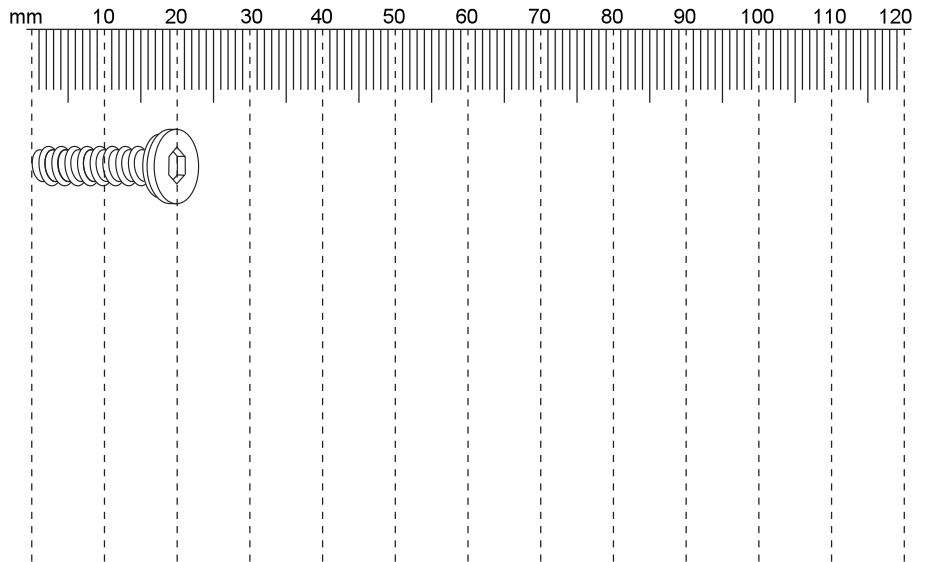


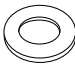

Component parts supplied

Ref	Visual	Qty
1		1
2		1
3		1
4		1
5		2

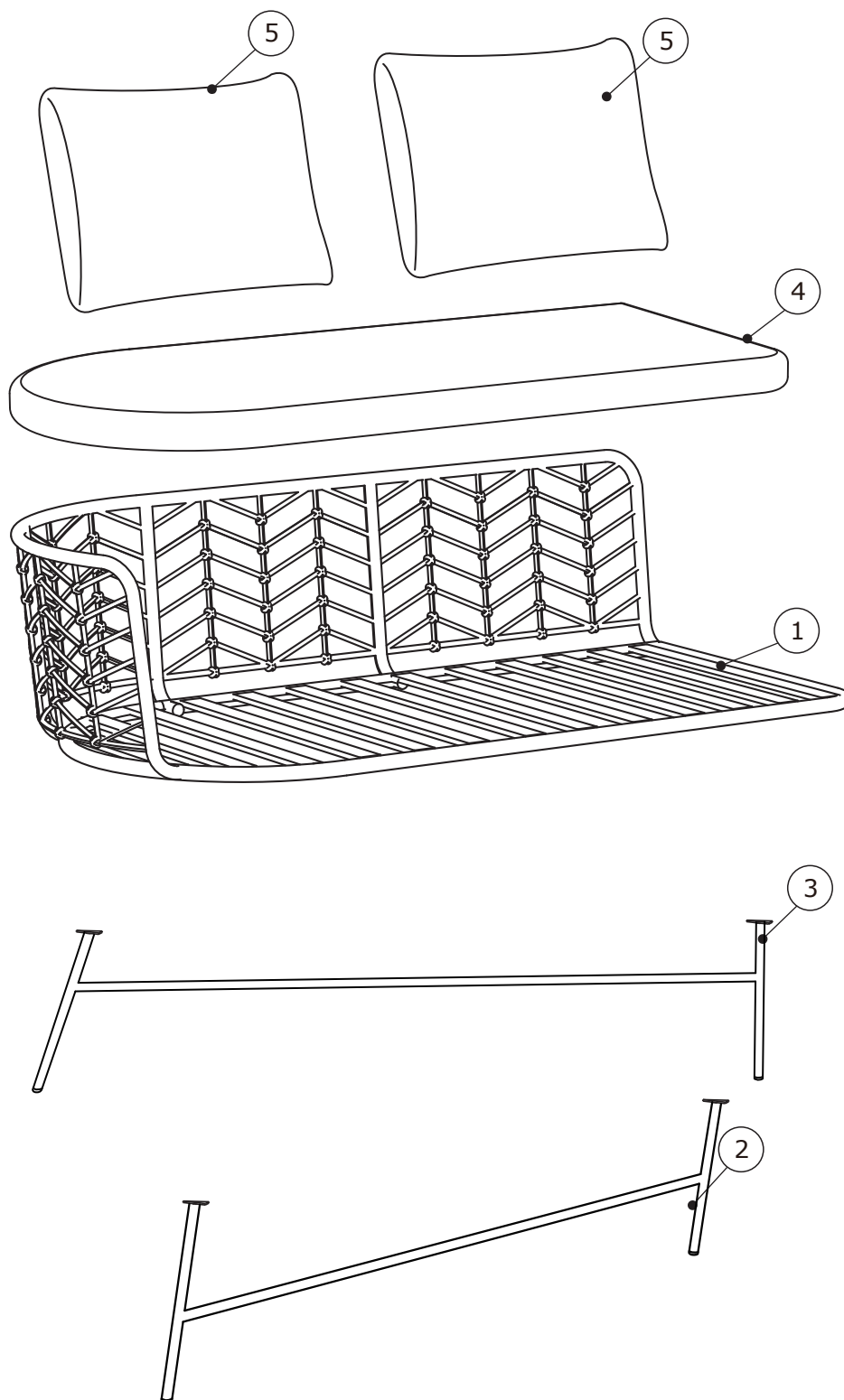
Parts and fittings

Ref	Dimensions	Qty
A	M6x15 mm	12



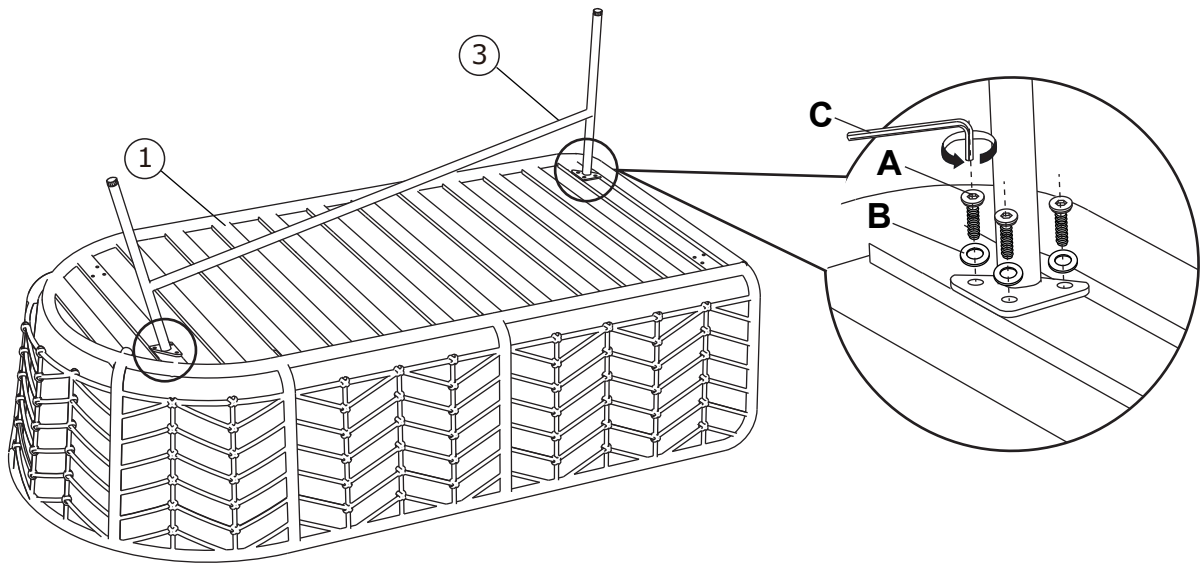
Ref	Dimensions	Visual	Qty
B	Ø14/Ø6.5 mm		12
C	T25/T30		1

Exploded view

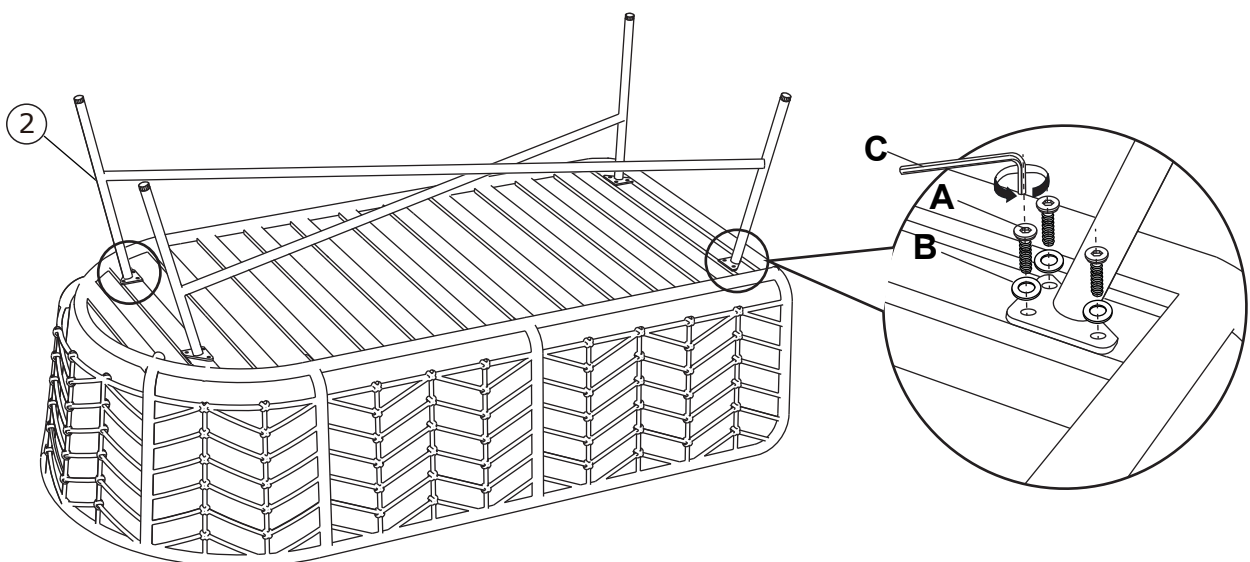


Assembly instructions

1

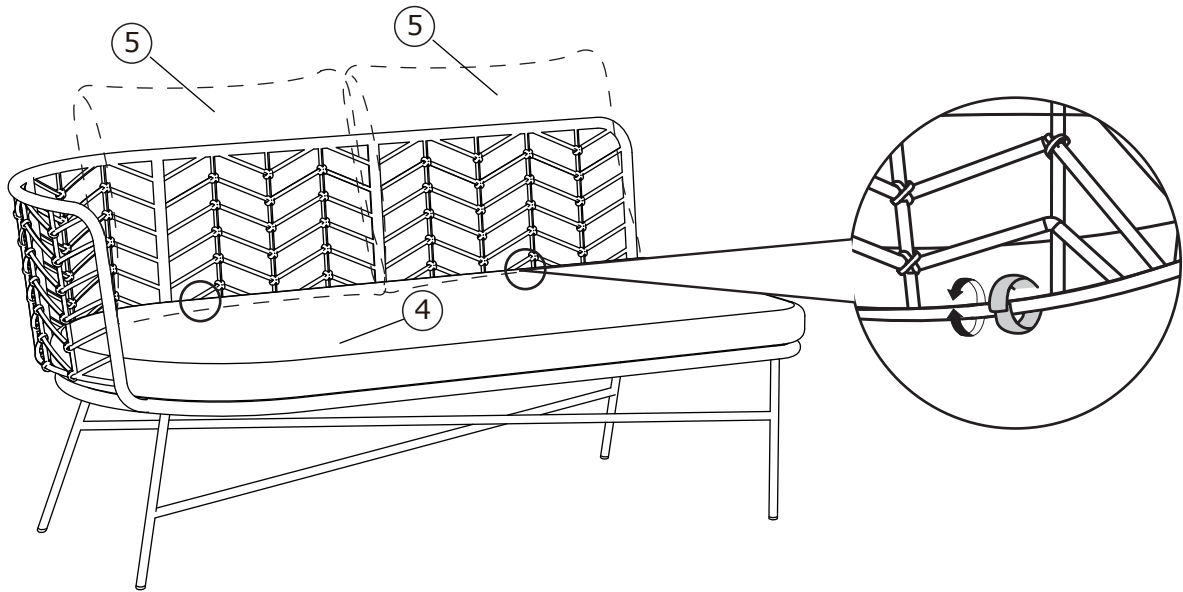


2

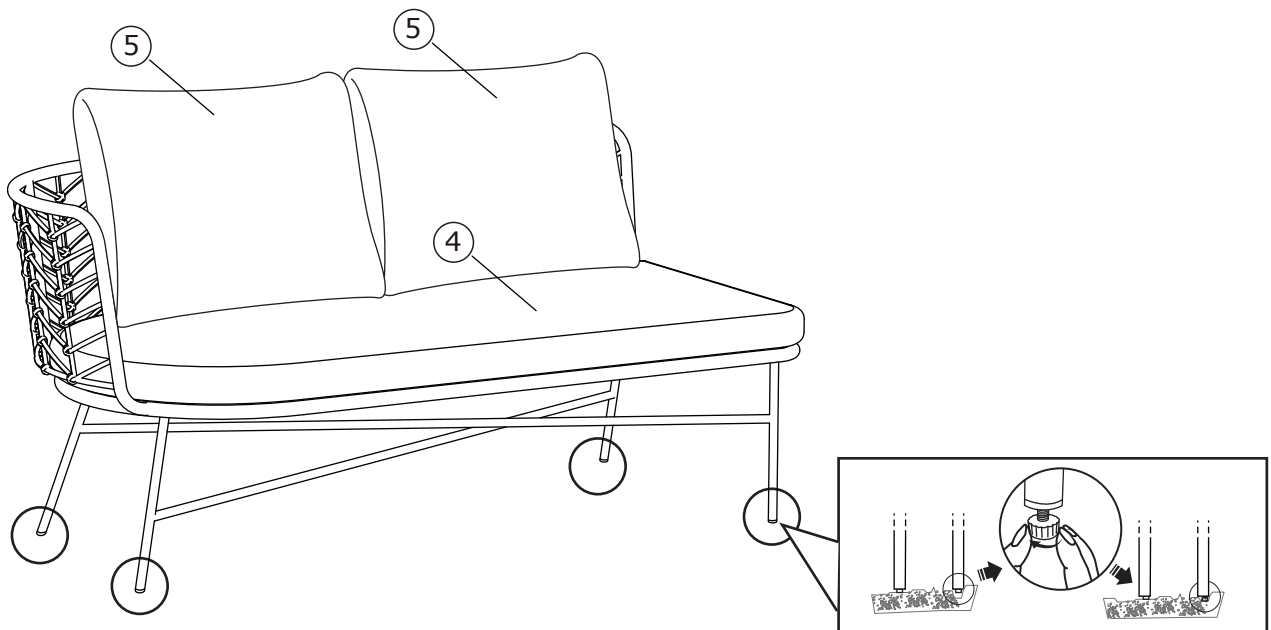


Assembly instructions

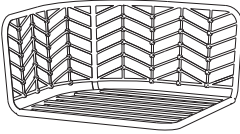



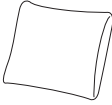
3



4

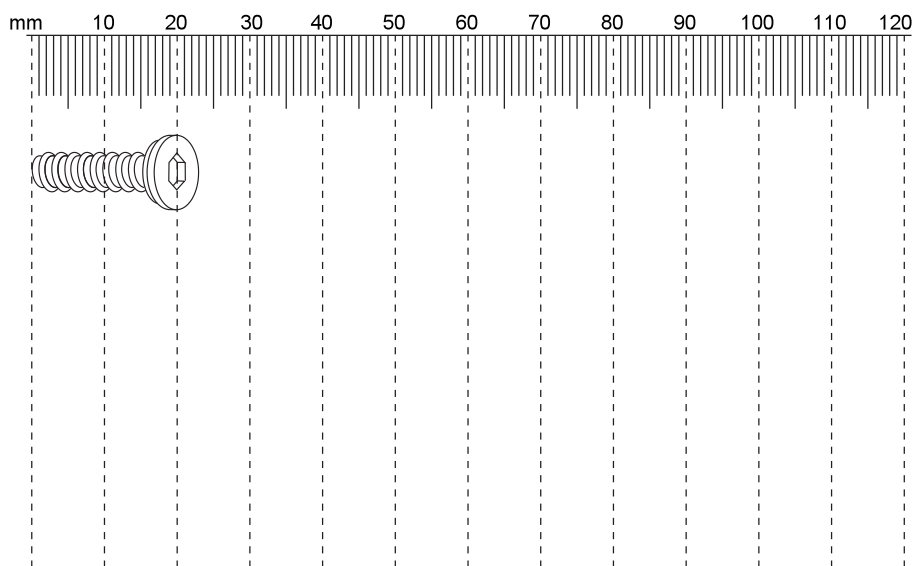


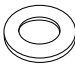

Component parts supplied

Ref	Visual	Qty
1		1
2		1
3		1
4		1
5		2

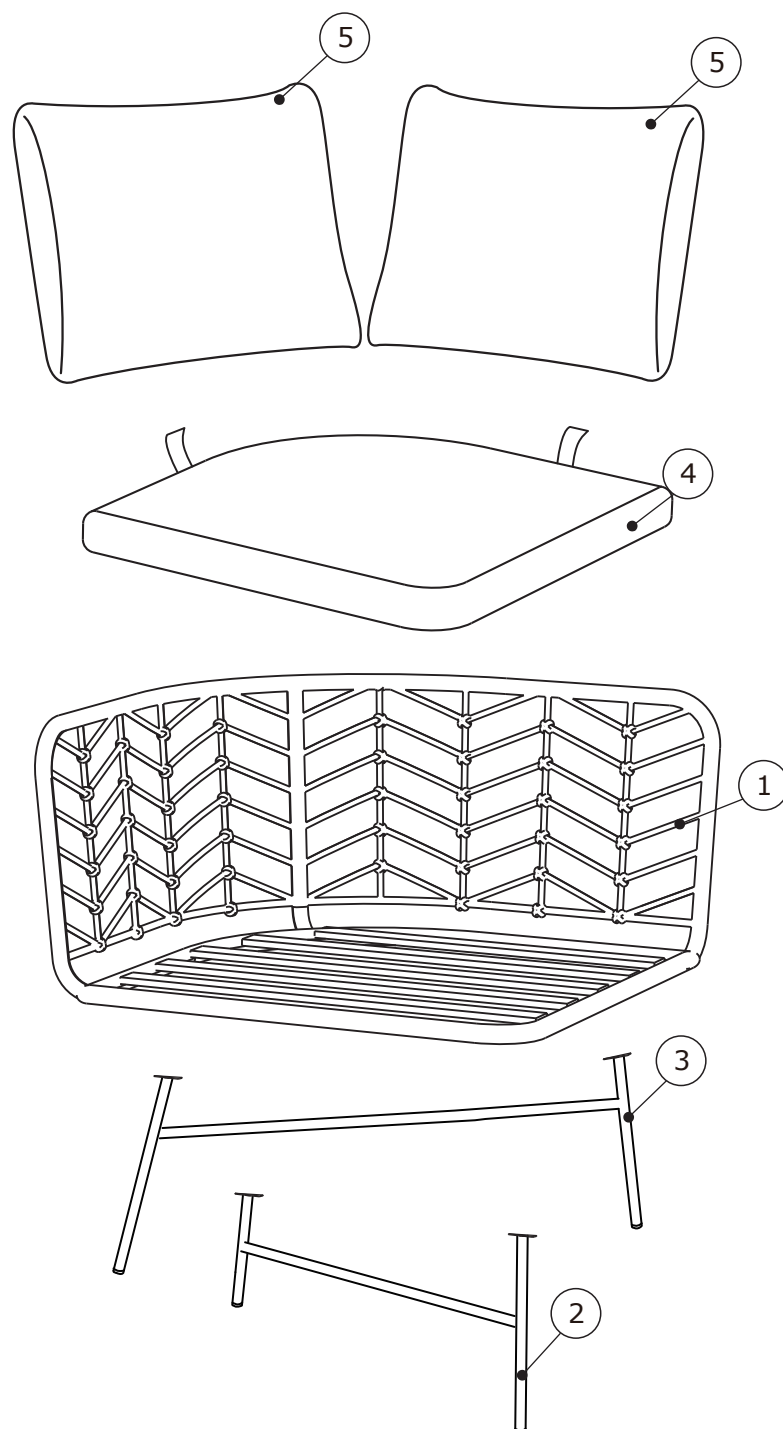
Parts and fittings

Ref	Dimensions	Qty
A	M6x15 mm	12



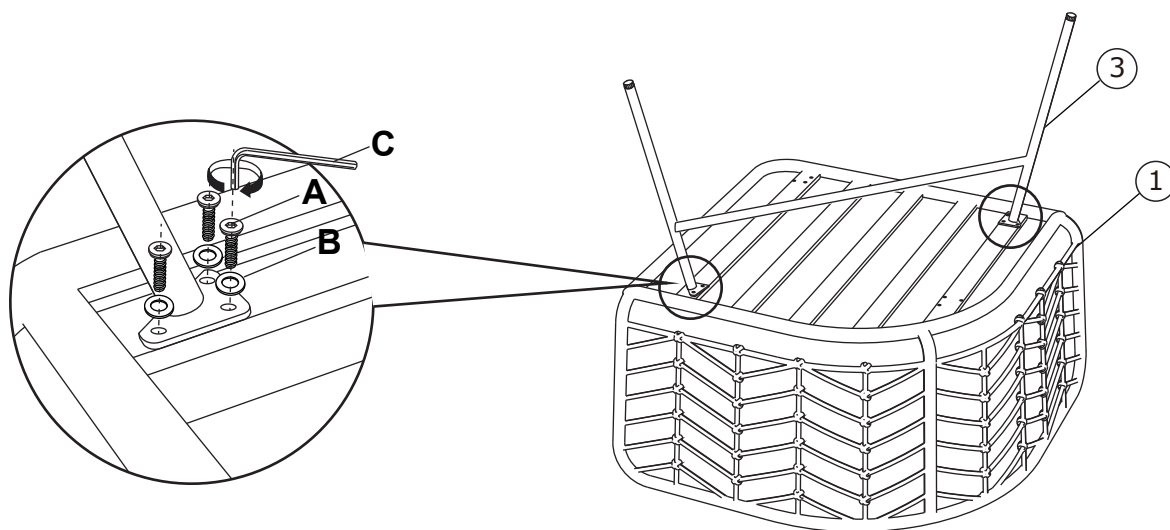
Ref	Dimensions	Visual	Qty
B	Ø14/Ø6.5 mm		12
C	T25/T30		1

Exploded view

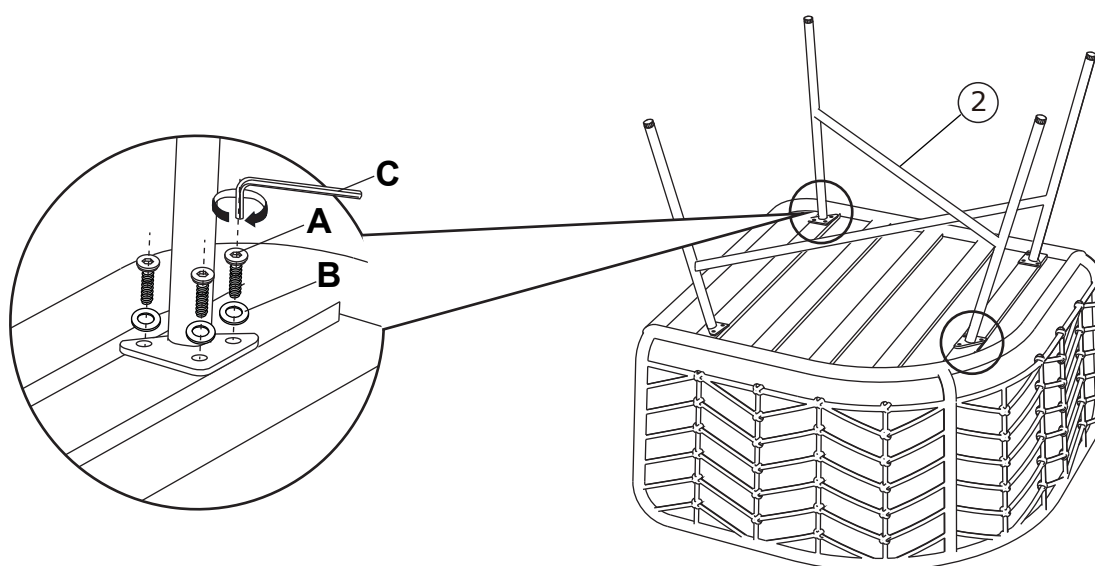


Assembly instructions

1

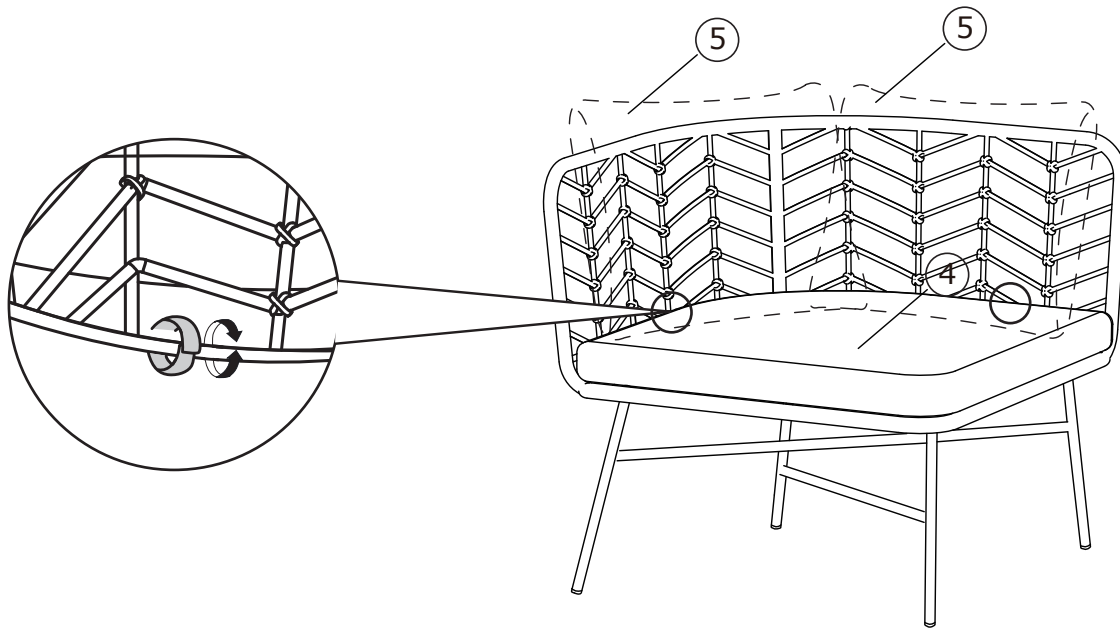


2

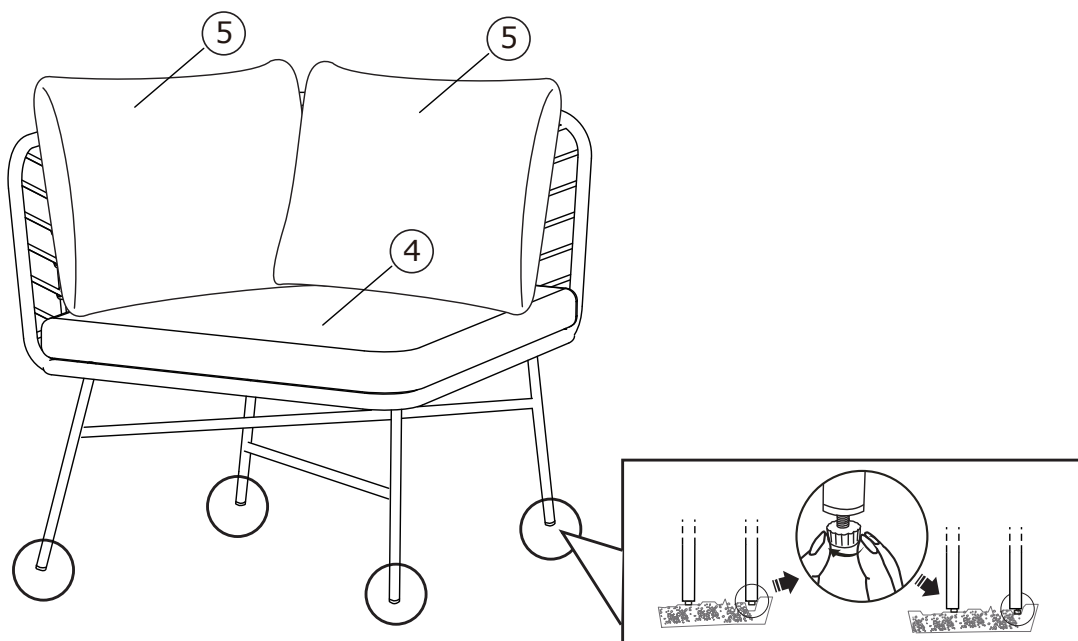


Assembly instructions

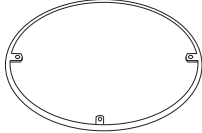
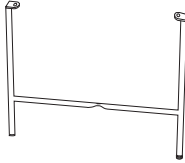
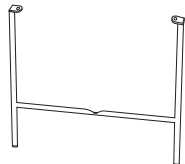
3



3



Component parts supplied

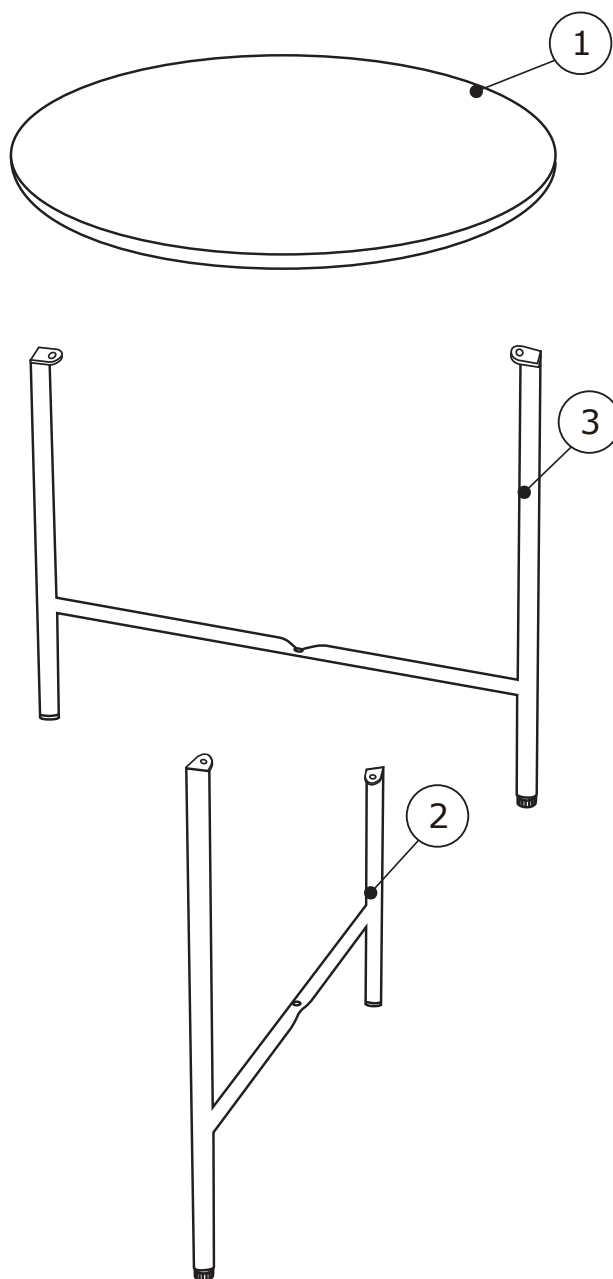
Ref	Visual	Qty
1		2
2		2
3		2

Parts and fittings

Ref	Dimensions	Qty
A	M8x12 mm	8
B	M5x30 mm	2

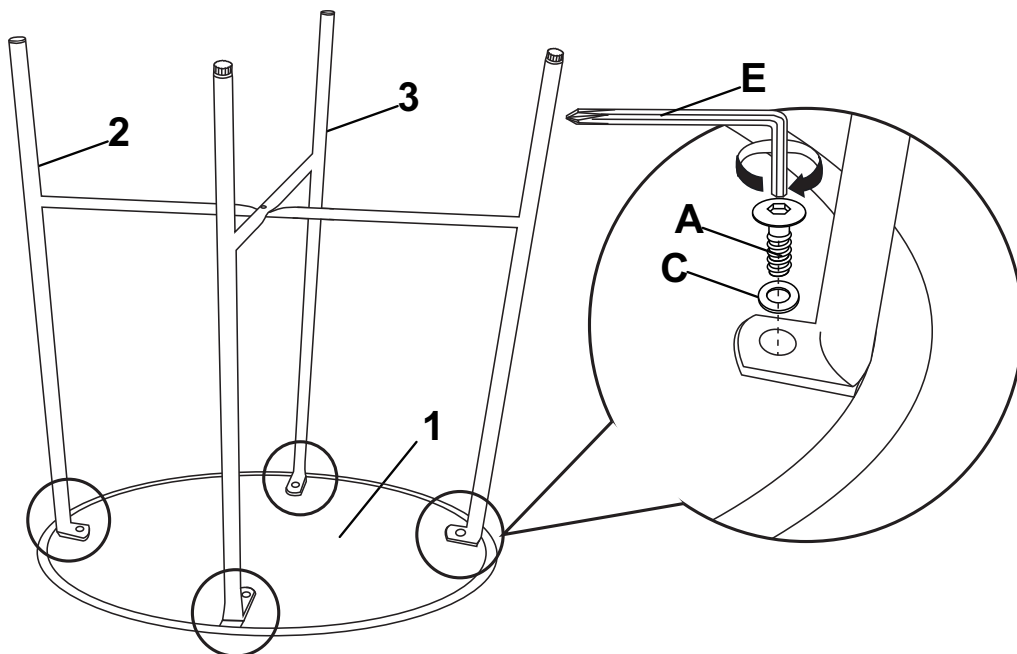
Ref	Dimensions	Visual	Qty
C	Ø16/Ø8.5 mm		8
D	M5		2
E	80/30mm		1

Exploded view

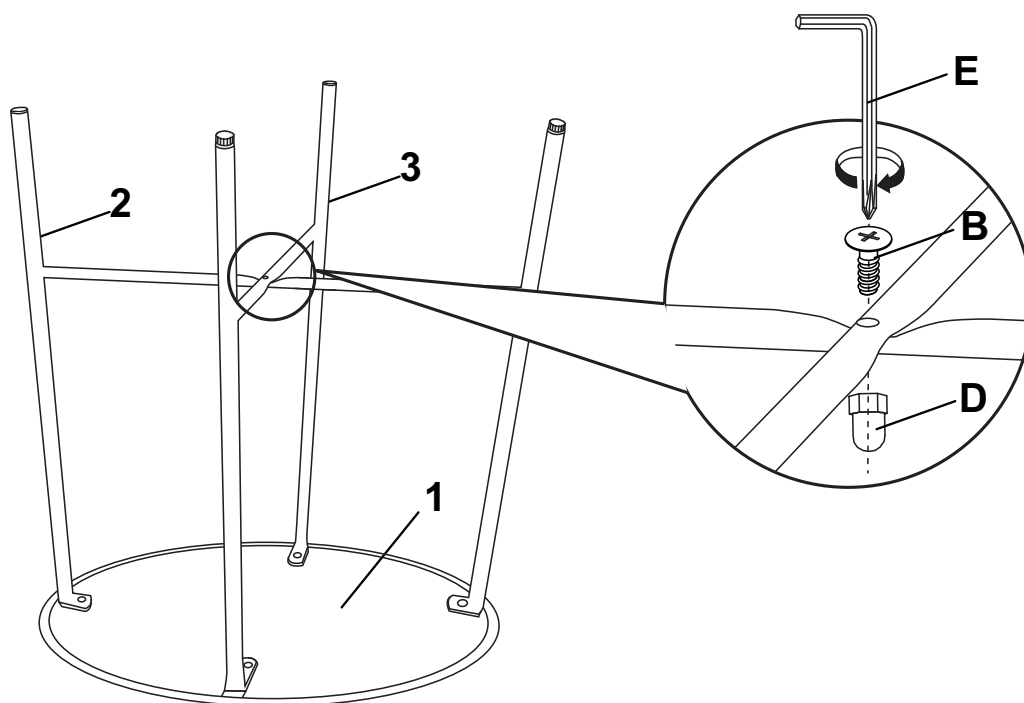


Assembly instructions

1

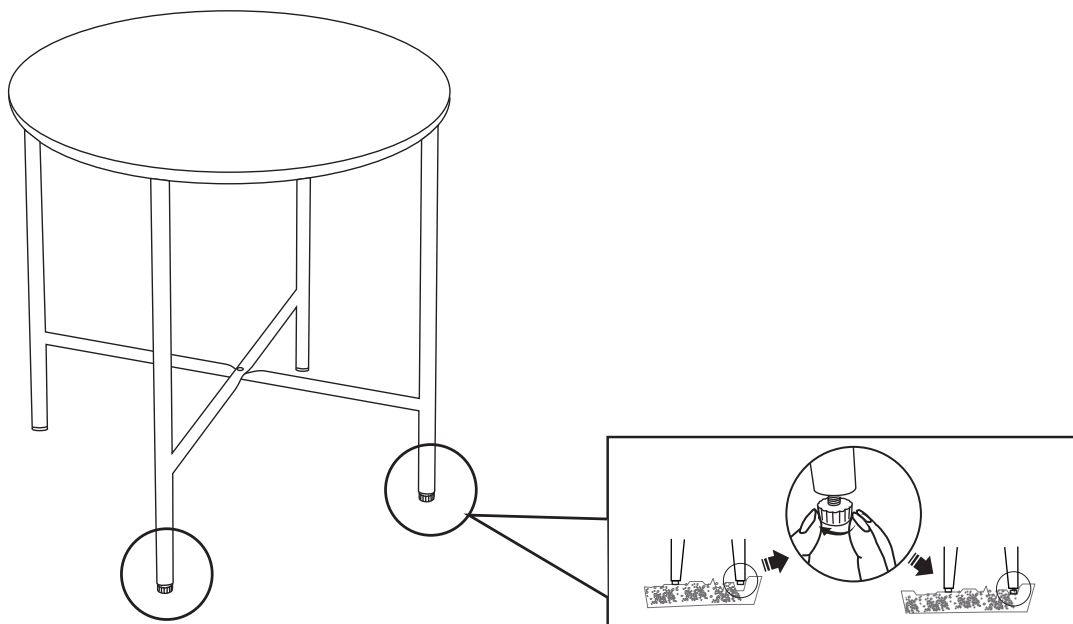


2



Assembly instructions

3



Upholstery care advice

General care advice

Keep upholstery out of direct sunlight to avoid discolouring.

Avoid sharp items such as toys, jean rivets and buckles coming into contact with the upholstery as these can easily snag, tear or pull the fabric.

To maintain the appearance and durability of your dining set restrain children and pets from jumping on your furniture.

To prolong the life of your garden set we advise that this is stored indoors during winter months and/or covered with a suitable furniture cover .

For accidental spills or stains

Don't rub or scrub with a cloth as this could damage the fabric and remove the colour.

Don't use washing up liquid, detergents or bleach to remove stains.

Don't soak or allow fabric to become wet.

Do blot or soak up spills immediately using a dry soft colourfast cloth.

Do use specialist upholstery cleaner if needed, always follow the manufacturer's instructions and always test on a hidden area to check colour fastness. Allow the test patch to completely dry first. If the fabric colour is affected, do not use this cleaner on the rest of your product and consult a specialist.

Finally, we hope you enjoy your furniture for many years to come and thanks again for your purchase.
